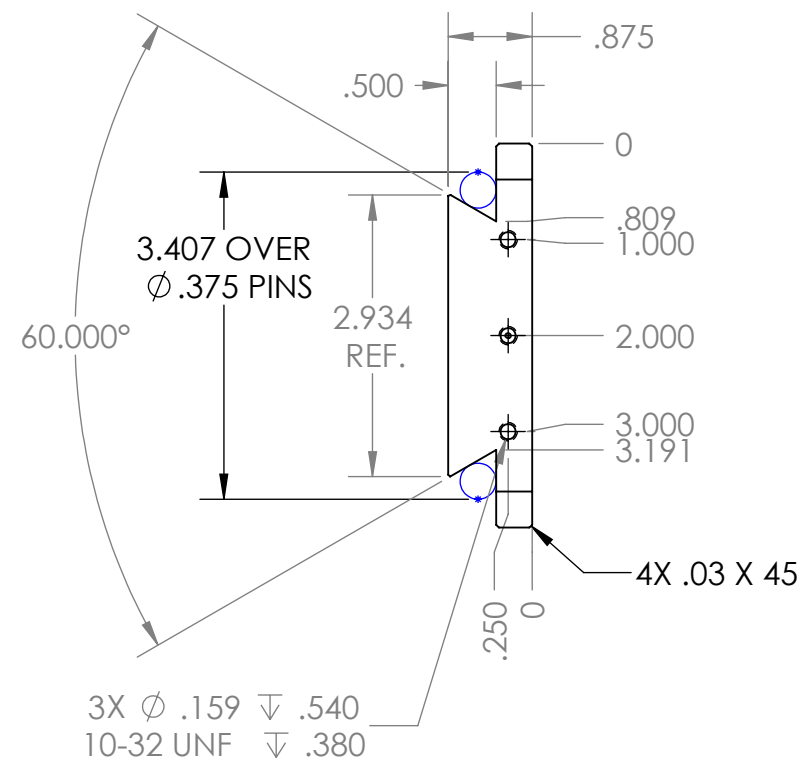
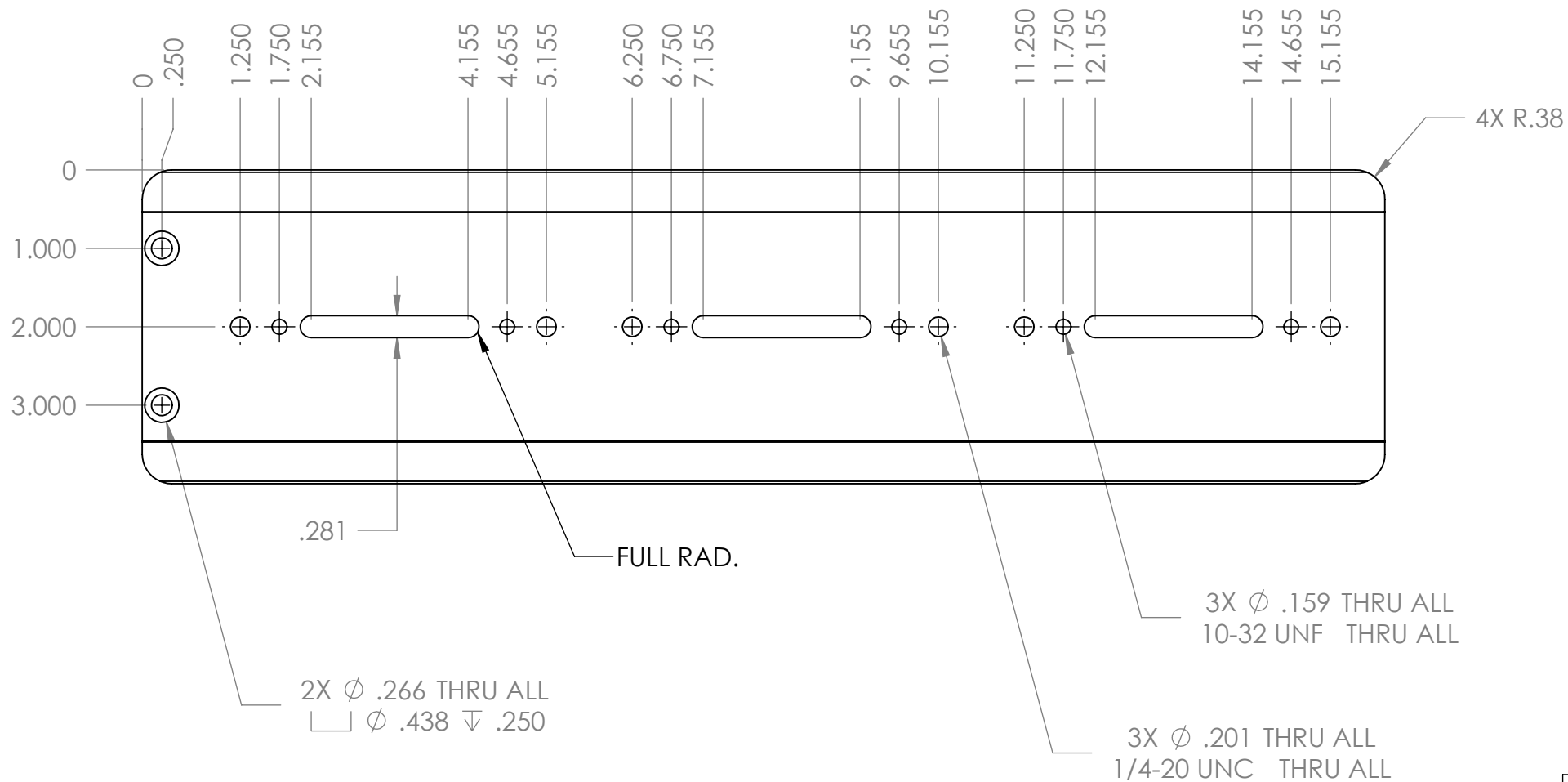
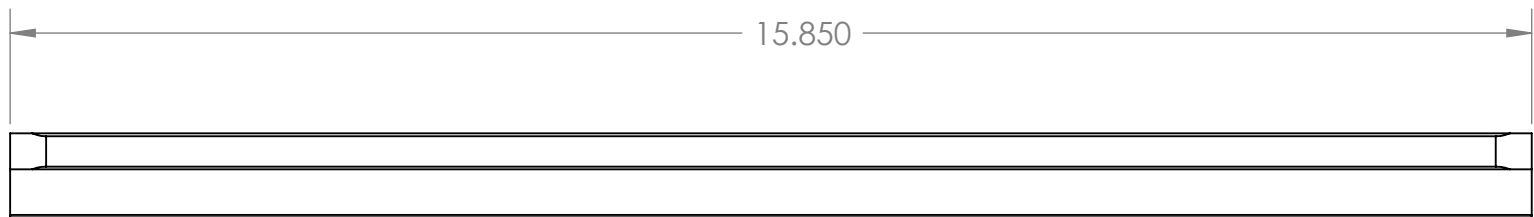


REVISIONS				
ZONE	REV.	DESCRIPTION	DATE	APPROVED
	A	INITIAL RELEASE	12/7/2011	KAI



PROPRIETARY AND CONFIDENTIAL
 THE INFORMATION CONTAINED IN THIS DRAWING IS THE SOLE PROPERTY OF PLANEWAVE INSTRUMENTS. ANY REPRODUCTION IN PART OR AS A WHOLE WITHOUT THE WRITTEN PERMISSION OF PLANEWAVE INSTRUMENTS IS PROHIBITED.

UNLESS OTHERWISE SPECIFIED TOLERANCES
 DECIMAL DIM .XXXX ±.0005
 .XXX ±.005
 .XX ±.02

ANGULAR DIM MACHINED ±0° 30'
 LOCATING ±0° 30'
 FORMED ±1°
 CHAMFERS ±5°

SURFACE FINISH \checkmark
 MAX R 0.015

BREAK ALL SHARP EDGES & REMOVE BURRS.

DRAWN	NAME	DATE
CHECKED	KAI	12/7/2011
ENG APPR.		
MATERIAL		
6061-T6 AL ALLOY		
FINISH		
BLACK ANODIZE TYPE II		

PlaneWave Instruments	
TITLE	
CDK20 ACC DOVETAIL	
SIZE	DWG. NO.
B	2003128
REV.	A
SCALE: 1:2	CAD FILE: 2003128A
SHEET 1 OF 1	