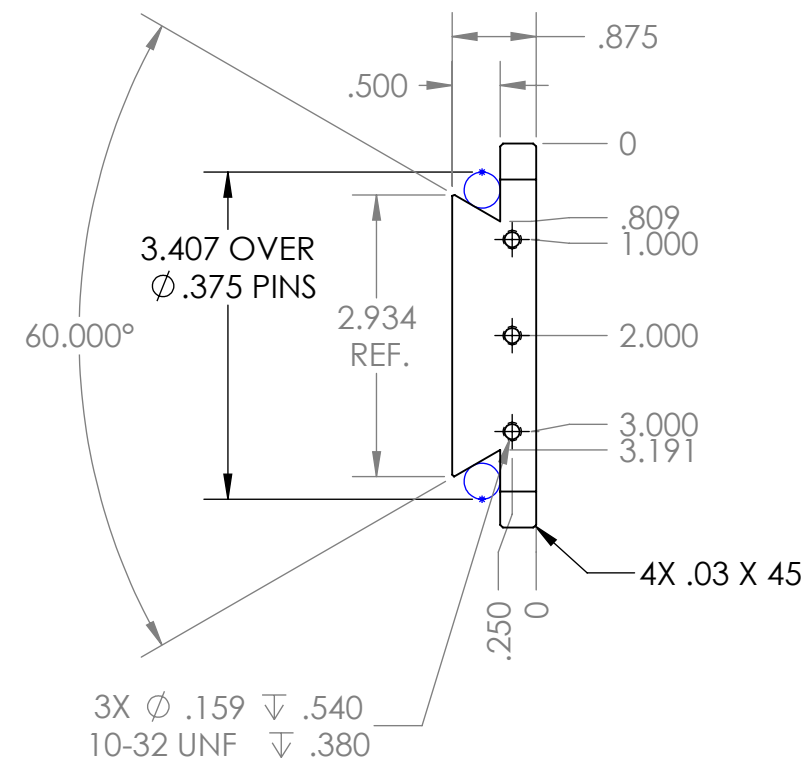
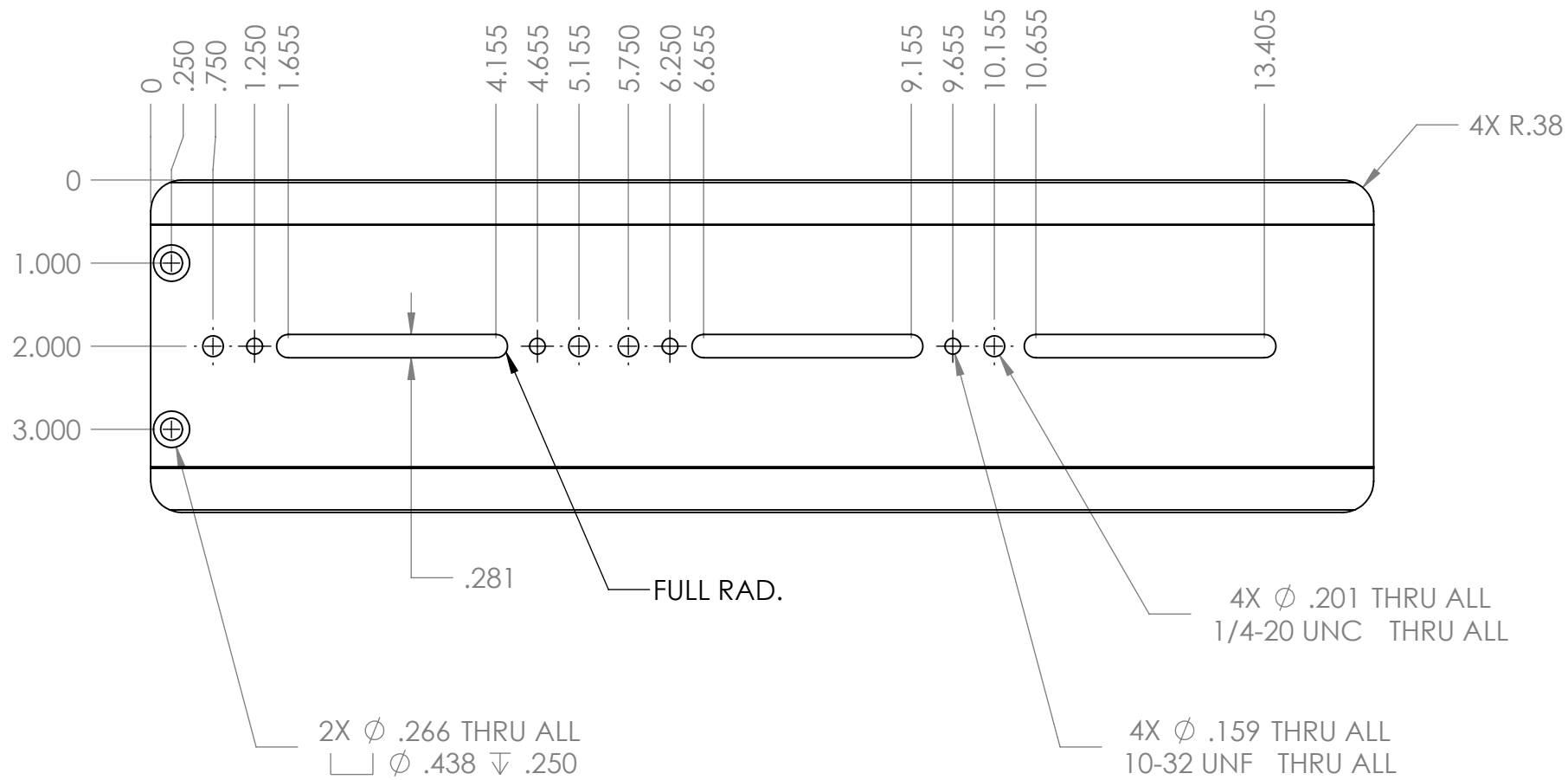
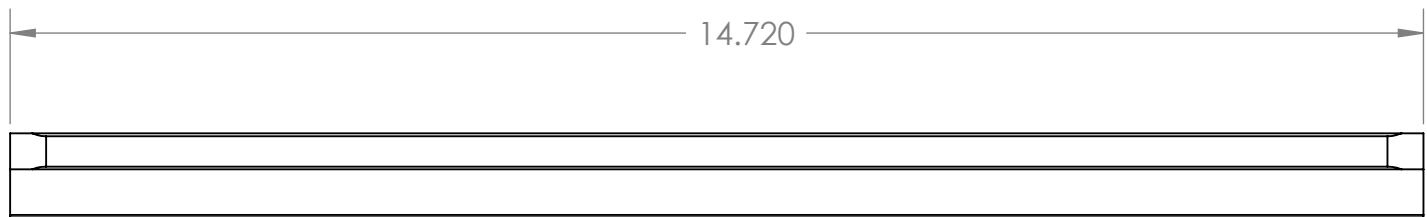


REVISIONS				
ZONE	REV.	DESCRIPTION	DATE	APPROVED
	A	INITIAL RELEASE	12/28/2011	KAI



PROPRIETARY AND CONFIDENTIAL
 THE INFORMATION CONTAINED IN THIS DRAWING IS THE SOLE PROPERTY OF PLANEWAVE INSTRUMENTS. ANY REPRODUCTION IN PART OR AS A WHOLE WITHOUT THE WRITTEN PERMISSION OF PLANEWAVE INSTRUMENTS IS PROHIBITED.

UNLESS OTHERWISE SPECIFIED TOLERANCES
 DECIMAL DIM .XXXX ±.0005
 .XXX ±.005
 .XX ±.02
 ANGULAR DIM MACHINED ±0° 30'
 LOCATING ±0° 30'
 FORMED ±1°
 CHAMFERS ±5°
 SURFACE FINISH $\sqrt{63}$
 MAX R 0.015
 BREAK ALL SHARP EDGES & REMOVE BURRS.

DRAWN	NAME	DATE
CHECKED	KAI	12/28/2011
ENG APPR.		
MATERIAL		
6061-T6 AL ALLOY		
FINISH		
BLACK ANODIZE TYPE II		

PlaneWave Instruments		
TITLE		
CDK17 ACC DOVETAIL		
SIZE	DWG. NO.	REV.
B	170336	A
SCALE: 1:2	CAD FILE: 170336A	SHEET 1 OF 1