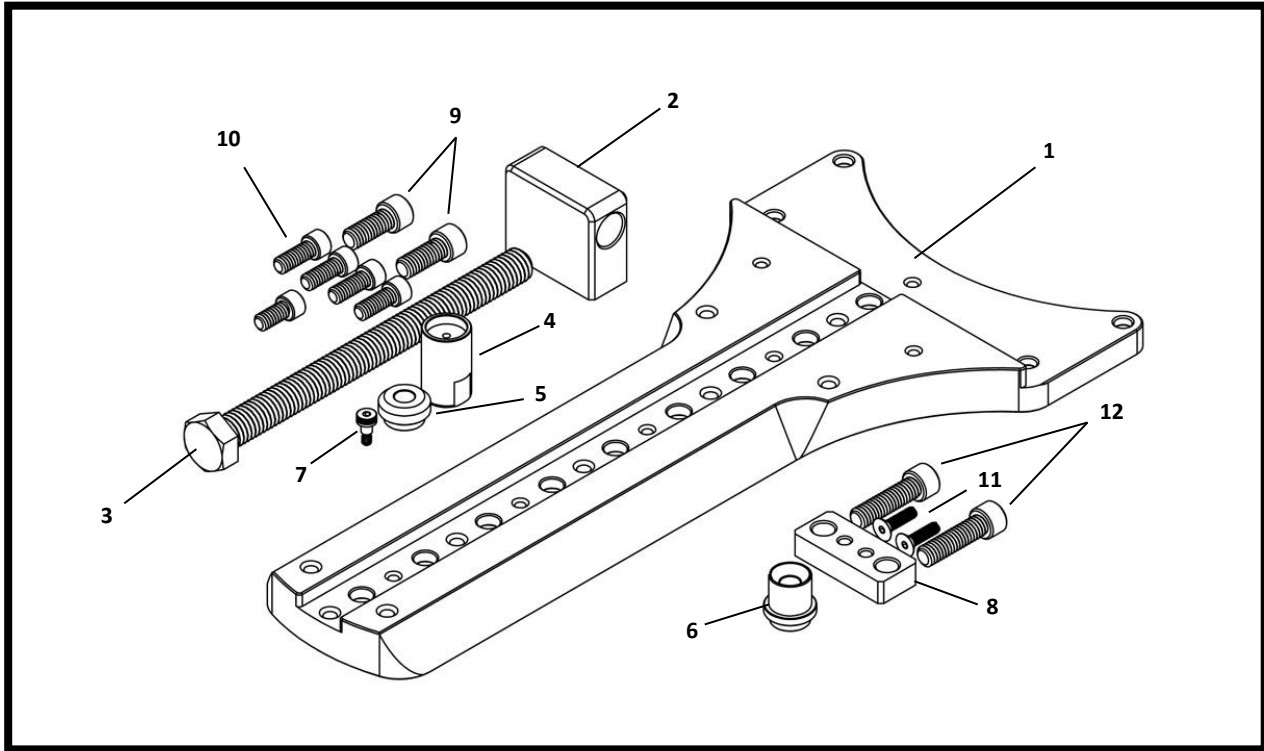


The Ascend – A200 Balance Accessory - 600382

The Ascend accessory is designed to allow slow and controlled movement of you CDK telescope for precise balance in declination. It can attach to either the front or back of the A200 mount's dovetail clamp (200919) and includes the following parts:

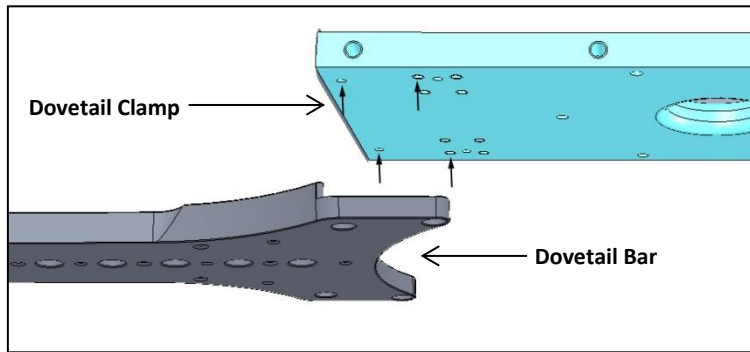


1	Dovetail Mounting Bar	7	Shoulder Screw 6-32x3/16"
2	Threaded Block	8	Threaded Block Spacer
3	Pushrod Bolt	9	5/16-18x1-1/8" Bolts (Qty 2)
4	Push Screw Cap	10	¼-20x5/8 Mounting Screws (Qty 5)
5	Push Screw Tip	11	8x32-5/8" (Qty 2)
6	Push Screw Tip CDK17	12	5/16-18x3/4" Mounting Screws (Qty 2)

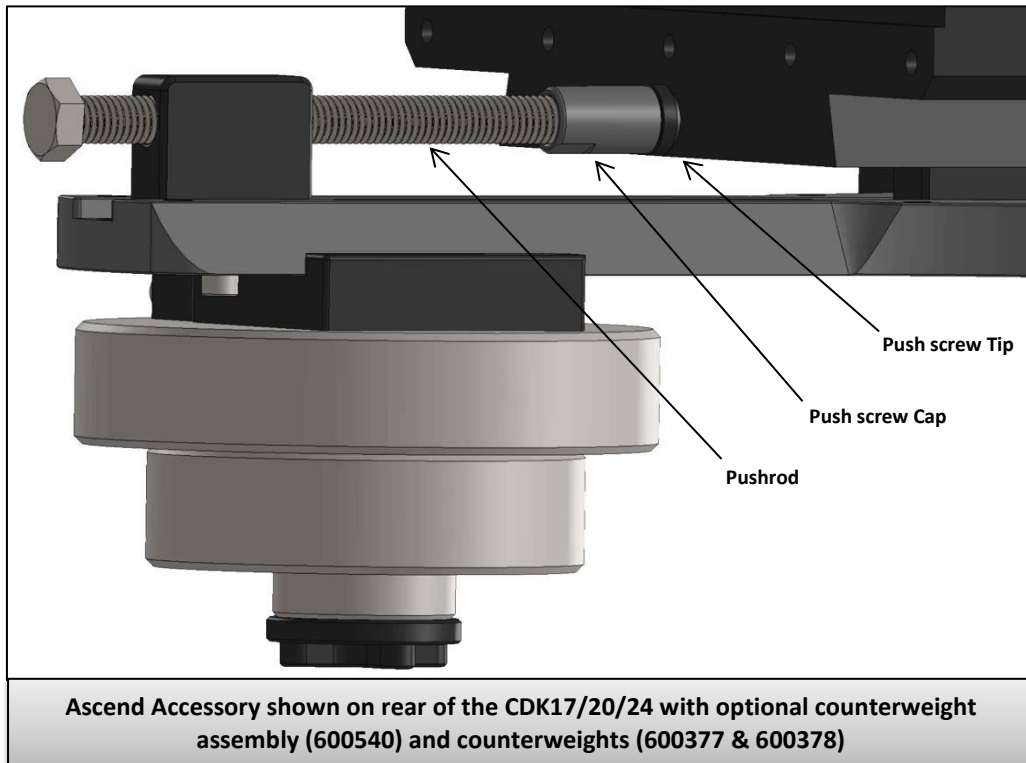
Installing on the Rear of the CDK 17/20/24

Note: It may be necessary to remove your CDK telescope from the A200 mount especially if installing the Ascend accessory on both sides on the dovetail clamp.

1. Use the four ¼-20x5/8" screws (10) to attach the dovetail bar (1) to the bottom of the dovetail clamp (see figure below).



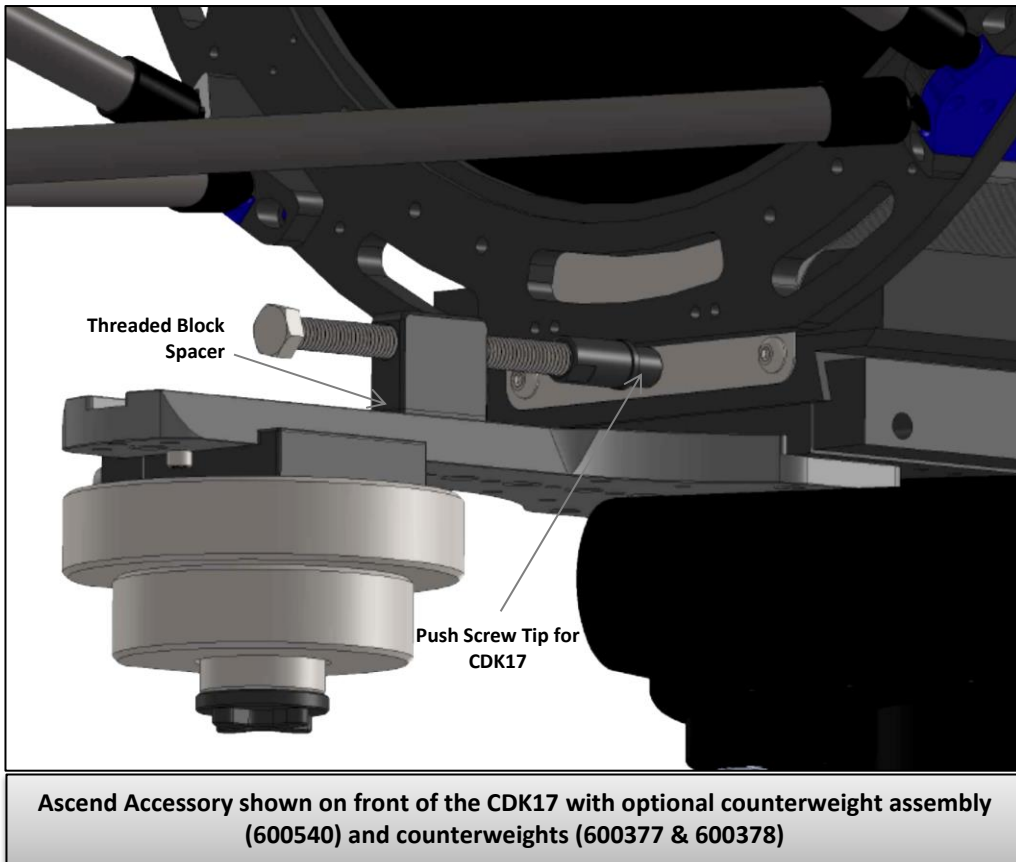
2. Thread the pushrod (3) into the threaded block (2) until approximately 2" of threads (halfway) are exposed through the other end.
3. Thread the push screw cap (4) onto the end of the pushrod.
4. Use the 6-32x3/16" shoulder screw (7) to attach the push screw tip (5) to the end to the push screw tip.
5. Slide the threaded block in the channel of the dovetail bar to determine when the pushrod will make contact with the mounting plate of the CDK. This will help determine which holes on the dovetail bar should be used to attach the threaded block.
6. Use the two 5/16-18x3/4" screws (12) to attach the threaded block to the dovetail bar.
7. Turn the pushrod by hand until the tip touches the rear of the CDK.
8. With the mount's dovetail clamp slightly loosened, use a 3/4" wrench or socket (not provided) to turn the pushrod and push the telescope forward on the mount.
9. Tighten the dovetail clamp and check balance. Repeat step #8 if necessary.



Installation for the Front of CDK17

When attaching the Ascend accessory to the front (pushing down) of the CDK17 you must use the threaded block spacer (8) and threaded rod extender tip for the CDK17 (6).

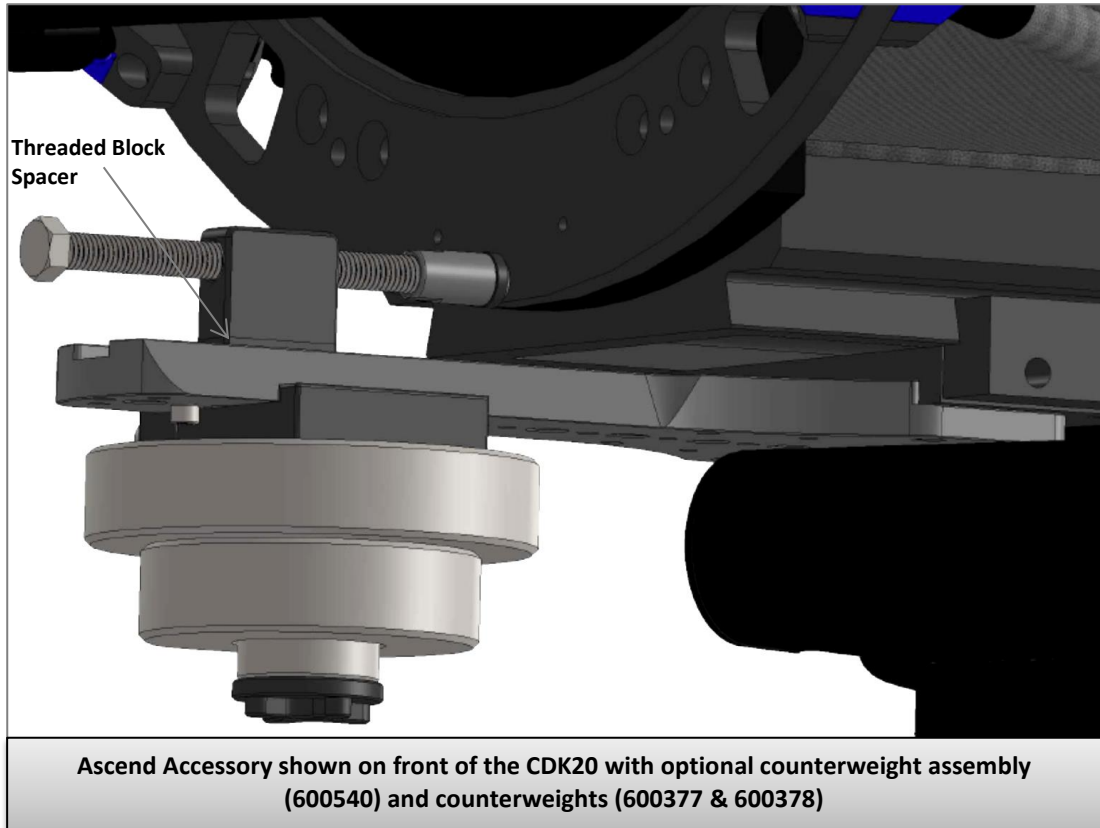
1. Use the two 8-32x5/8" flat head screws (11) to attach the threaded block spacer underneath the threaded block before mounting on the dovetail bar.
2. Use the 6-32x3/16" shoulder screw (7) to attach the longer CDK17 push screw tip (6) to the push screw cap (4).
3. Follow the steps in the instructions above for installing to the rear of the CDK.



Installation for the Front of CDK20

When attaching the Ascend accessory to the front (pushing down) of the CDK20 you must attach the threaded block spacer (8) underneath the threaded block (2).

1. Use the two 8-32x5/8" flat head screws (11) to attach the threaded block spacer underneath the threaded block before mounting on the dovetail bar.
2. Follow the steps in the instructions above for installing to the rear of the CDK.



Installation for the Front of CDK24

When attaching the Ascend accessory to the front (pushing down) of the CDK24 the instructions are the same as when installing onto the rear (pushing up) of the CDK24. Follow the steps in the instructions above for installing to the rear of the CDK.

Counterweight Accessory

For additional balancing, Planewave offers a counterweight assembly that attaches directly to the dovetail bar of the Ascend accessory. The counterweigh assembly comes with either a 6" bar (600541) or 3" bar (600540). Either bar can hold a 9 lb counterweight (600378) or 4.5 lb weight (600377)