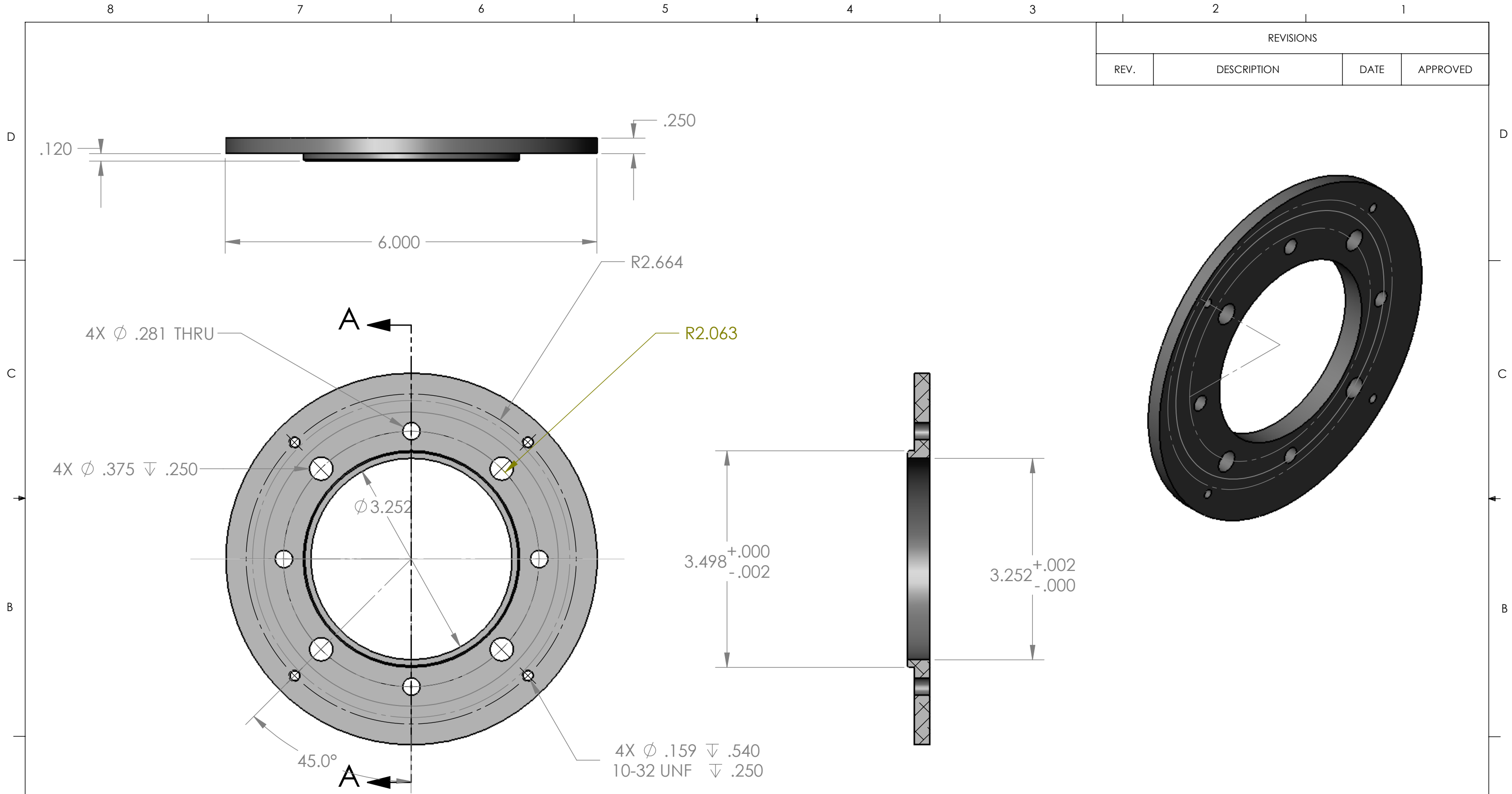


REVISIONS			
REV.	DESCRIPTION	DATE	APPROVED



SECTION A-A  
SCALE 1 : 1.5

NOTES:

1. REMOVE ALL SHARP EDGES.
2. FINISH: BLACK ANODIZE PER MIL-A-8625, TYPE II, CLASS 2

**PROPRIETARY AND CONFIDENTIAL**  
THE INFORMATION CONTAINED IN THIS DRAWING IS THE SOLE PROPERTY OF PLANEWAVE INSTRUMENTS. ANY REPRODUCTION IN PART OR AS A WHOLE WITHOUT THE WRITTEN PERMISSION OF PLANEWAVE INSTRUMENTS IS PROHIBITED.

UNLESS OTHERWISE SPECIFIED TOLERANCES  
 DECIMAL DIM .XXXX ±.0005  
 .XXX ±.005  
 .XX ±.02  
 ANGULAR DIM MACHINED ±0° 30'  
 LOCATING ±0° 30'  
 FORMED ±1°  
 CHAMFERS ±5°  
 SURFACE FINISH 63 ✓  
 MAX R 0.015  
 BREAK ALL SHARP EDGES & REMOVE BURRS.

DRAWN	NAME	DATE
CHECKED	W. ZHOU	12/20/2006
ENG APPR.		
MATERIAL		
6061-T6 AL ALLOY		
FINISH		
SEE NOTE		

PlaneWave Instruments	
TITLE	
LOW PROFILE SECURE-FIT SPACER 1	
SIZE	DWG. NO.
B	600327
SCALE: 1:2	CAD FILE: 600327A
SHEET 1 OF 1	REV. A