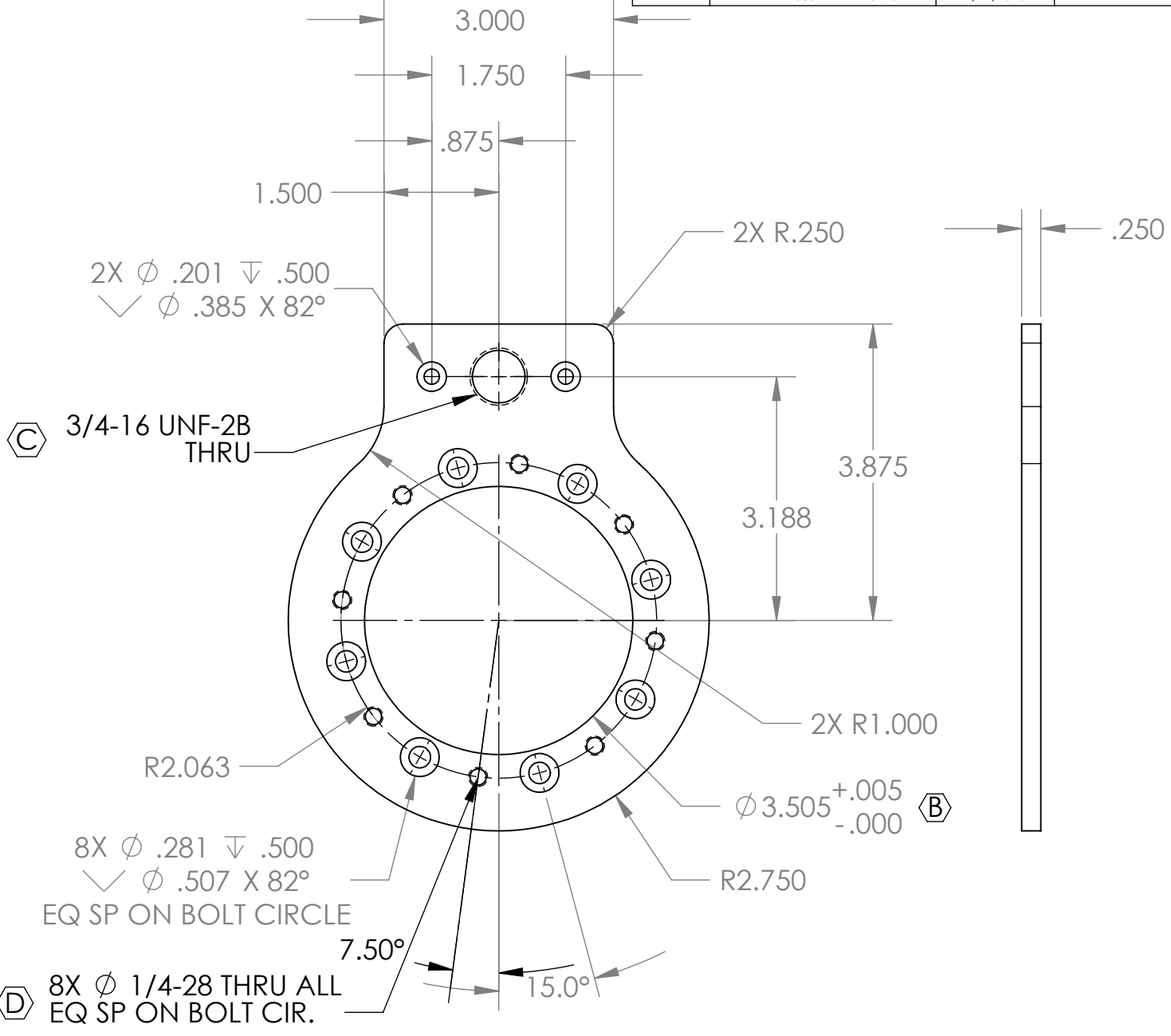


REVISIONS			
REV.	DESCRIPTION	DATE	APPROVED
A	RELEASED	1/5/07	WZ
B	ECN 200343ECNA	2/6/2007	
C	ECN 200343ECNB	3/1/2007	
D	ADDED ADJUSTMENT HOLES	7/27/2010	FLF



NOTES:

1. REMOVE ALL SHARP EDGES.
2. BLACK ANODIZE PER MIL-A-8625F, TYPE II, CLASS 2

UNLESS OTHERWISE SPECIFIED TOLERANCES		NAME	DATE	PlaneWave Instruments	
DECIMAL DIM .XXXX ± .0005 .XXX ± .005 .XX ± .02		DRAWN	W. ZHOU	1/5/2007	TITLE
ANGULAR DIM MACHINED ± 0° 30' LOCATING ± 0° 30' FORMED ± 1° CHAMFERS ± 5°		CHECKED			PLATE, FLANGE
SURFACE FINISH MAX R 0.015		ENG APPR.			
BREAK ALL SHARP EDGES & REMOVE BURRS.		MATERIAL		6061-T6 AL ALLOY	
PROPRIETARY AND CONFIDENTIAL THE INFORMATION CONTAINED IN THIS DRAWING IS THE SOLE PROPERTY OF PLANEWAVE INSTRUMENTS. ANY REPRODUCTION IN PART OR AS A WHOLE WITHOUT THE WRITTEN PERMISSION OF PLANEWAVE INSTRUMENTS IS PROHIBITED.		FINISH		SEE NOTE	
		SIZE DWG. NO.		200343	
		SCALE: 1:2		CAD FILE: 200343D	
		SHEET 1 OF 1		REV. D	