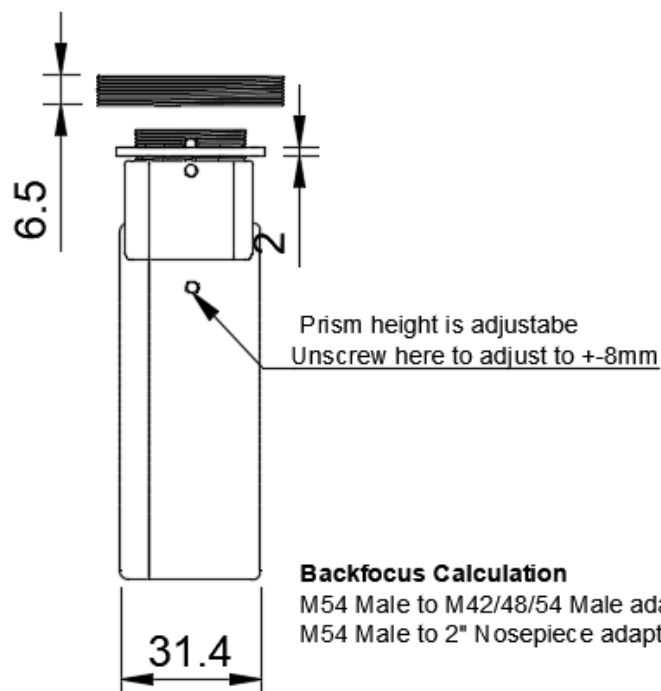
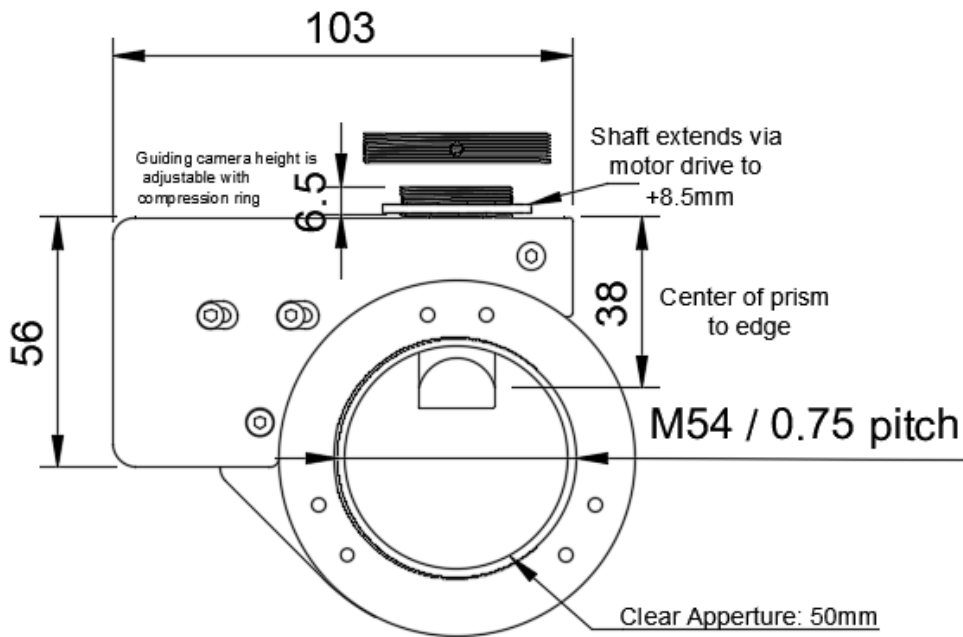
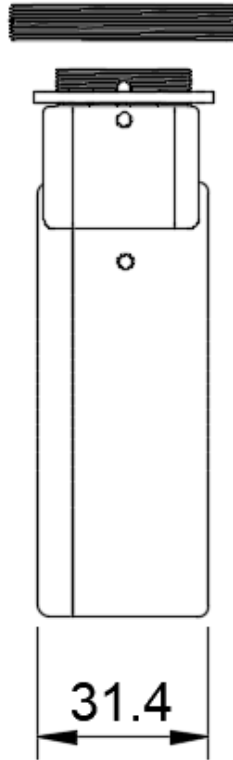
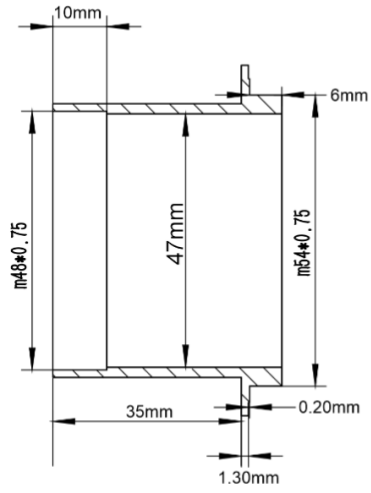


Scops Motorised OAG Mechanical Drawing

All units are in millimeters



2" Nosepiece to m54 male adapter (0.75mm pitch)



m54 male to m48 male adapter (0.75mm pitch)

