

NYX-101 Harmonic Geared Mount

PEG-NYX101

FEATURES

- Strain Wave Gears On Both Axis
- Equatorial or Altazimuth Mode
- No Counterweights (Up To 20 Kg)
- Power Off Brake On RA Axis
- Built-In Wireless & USB Control
- DC 12 Volts Battery Operation
- Secure Power And USB Sockets
- Universal Saddle Plate
- Integrated ST-4 Autoguiding Port
- Polemaster Adapter
- Electronic Level Assistant
- Reverse Polarity Protection
- Safety Limits On RA Axis

COMPATIBLE WITH

- ASCOM 6
- INDI
- Sky Safari
- LX200



- Supporting high imaging loads. Counterweights are not required for weights up to 20Kg.
- Lightweight design (6.5Kg), compared to the weight payload the mount can lift.
- Mount can be operated as a German Equatorial or as an Altazimuth mode which is more suitable for visual observations.
- Wireless or USB operation supporting ASCOM, INDI, Sky Safari or LX200 compatible applications.

Nyx, the ancient Greek goddess of the night, enlightened us to design and produce a high-performing, high payload mount that can easily carry imaging equipment up to 20 Kg without needing a counterweight or shaft.

Strain wave (harmonic) drive on RA and DEC movement ensures a backlash-free operation with high torque at high payloads.

A fully CNC machined aluminum alloy 6061 body, black and blue anodized, and a selection of branded parts (stepper motors, strain wave gear) inside the mount, ensure that Nyx-101 will perform flawlessly for many years.

Mount includes an electronic brake on the RA axis to prevent backsliding when power is off as well as safety limit stops during slew or tracking.

Mount requires 12 Volts only for its smooth operation. The power cable can securely lock onto the mount. USB type B special socket ensures a secure grip. Both of sockets are placed on the non-movable part of the mount. No cables moving during slews and tracking.

The mount integrates a barometric and temperature sensor required to calculate atmospheric, refraction corrections during mount tracking.

A low profile and rigid universal saddle is included. It accepts Vixen and Losmandy 3-ich dovetails.

An ST-4 port is available at the back of the mount supporting a plug of a simple hand controller or guiding camera.

Accessories

MORE INFORMATION

For more information about the NYX-101 mount please visit our product page on the Web at: pegasusastro.com

MADE IN GREECE

We carefully curate the entire sourcing, manufacturing, testing and packaging process of your NYX-101 mount.



Carbon Fiber Tripod

The rigid, light weight and compact Carbon Fiber Tripod for NYX-101 Harmonic Drive Mount (**PEG-TRPD101**) makes it ideal for travelers. Retracted length of the tripod is 65 cm and the angle of legs is fixed to 35°. We strongly suggest using this tripod with imaging equipment for up to 15Kg.

(Includes the Carbon Tripod Adapter)



Pier Extension

A light weight pier extension (+18 cm / +7") can be easily assembled by the three (3) following parts:

- EQ6 / Universal adapter (**PEG-ADAPT101-EQ6**)
 - 3 x Aluminium Standoffs (M10 screws incl.) (**PEG-ADAPT101-STDOFF**)
 - Carbon Tripod Adapter (comes along with our Carbon Fiber Tripod)
- ✓ If you do not own the carbon tripod then the EQ6 / Universal Tripod Adapter can be doubled to assemble the half-pier extension.
 - ✓ Three (3) additional standoffs can be purchased to increase pier stability.



(Pier extension accepts up to 6 standoffs)

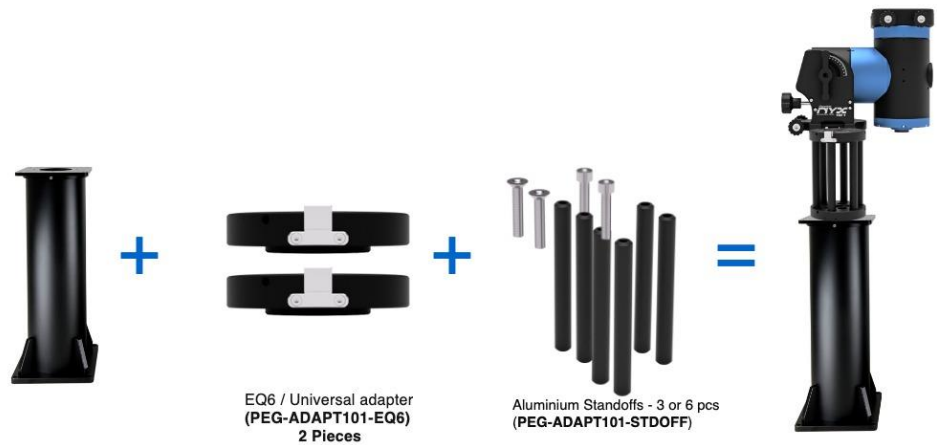


PIER ASSEMBLY SCENARIOS

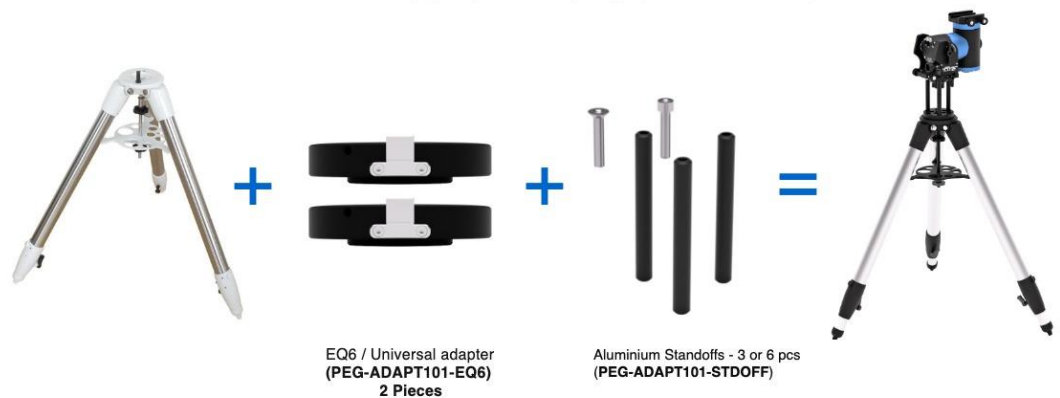
How to place the NYX-101
on a pier or a tripod



Scenario 1: I have the Carbon Fiber Tripod, so I only need a **Universal Adapter** and the **3 x standoffs** to assemble the pier extension. My carbon tripod already **includes a carbon tripod adapter** which can be combined with the Universal adapter to assemble the pier extension.



Scenario 2: I own a custom / 3rd party observatory pier, so I need a **2 x Universal Adapters + Standoffs** to assemble the pier extension. I can maximise stability by using two standoff packages (3x2 = 6 standoffs in total)



Scenario 3: I own a 3rd party aluminum tripod (in this example an EQ6 tripod) so I get **2 x Universal Adapters** and the **3 x Standoffs** to assemble the pier. I can also maximise stability by using two standoff packages (3x2 = 6 standoffs in total)

*** If I own the carbon tripod I can use the existing Carbon tripod adapter as a replacement of the second EQ6 / Universal adapter**

Note: You also have the option to discard the pier extender and place the NYX-101 directly on a tripod/pier **by using only the Universal /EQ6 Adapter (PEG-ADAPT101-EQ6)**. This scenario is most appropriate when you have a small refractor setup that does not require a pier extender.

IN THE BOX

- NYX-101 Mount Body
- Power Supply 12V / 5A
- Soft Case Carry Bag
- USB2 Type B Cable
- A/Z Shaft (for adapters)

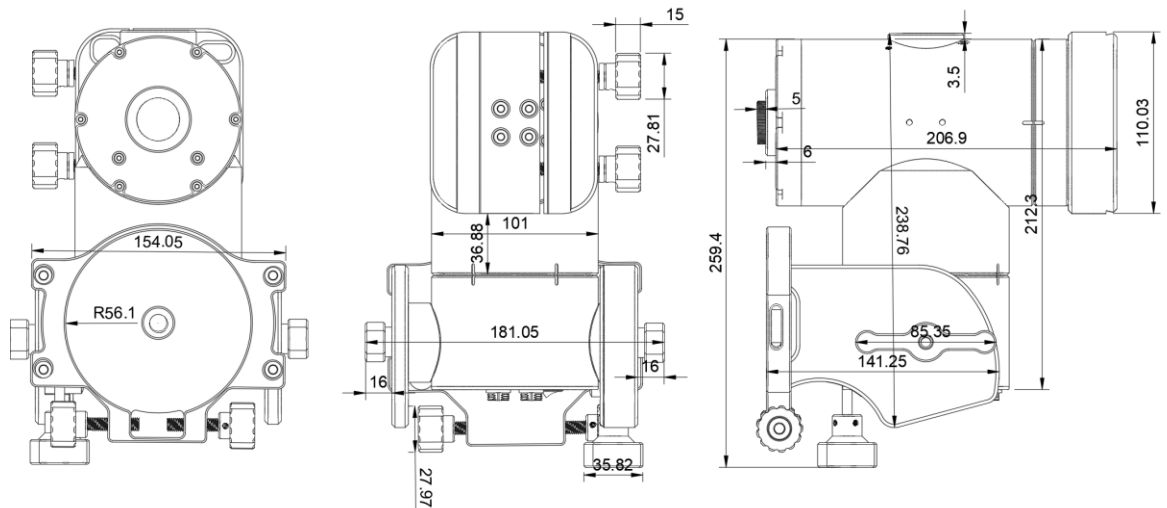


Side View



Back View

MOUNT MECHANICAL DRAWING



UNIVERSAL / EQ6 TRIPOD ADAPTER

