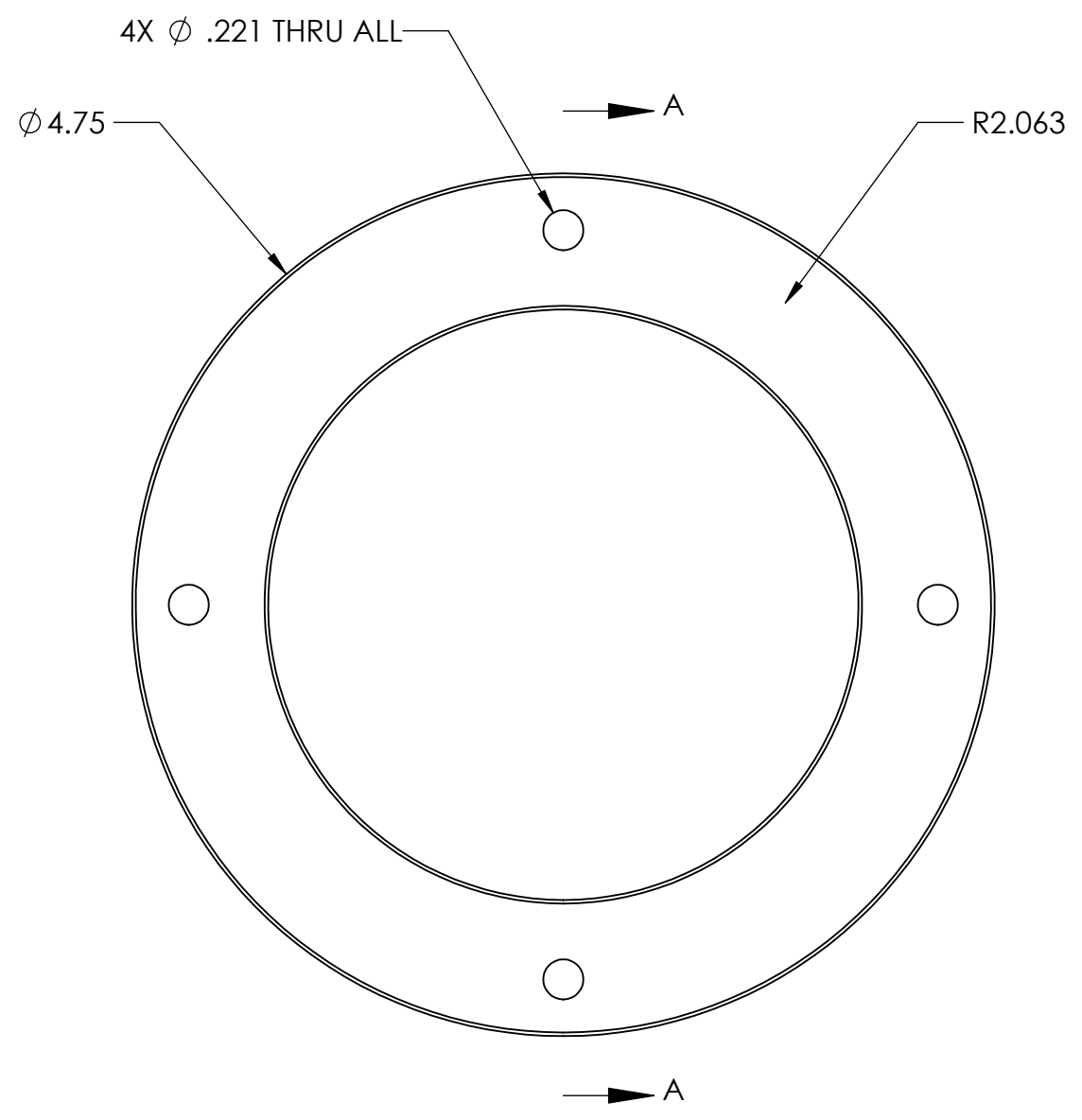
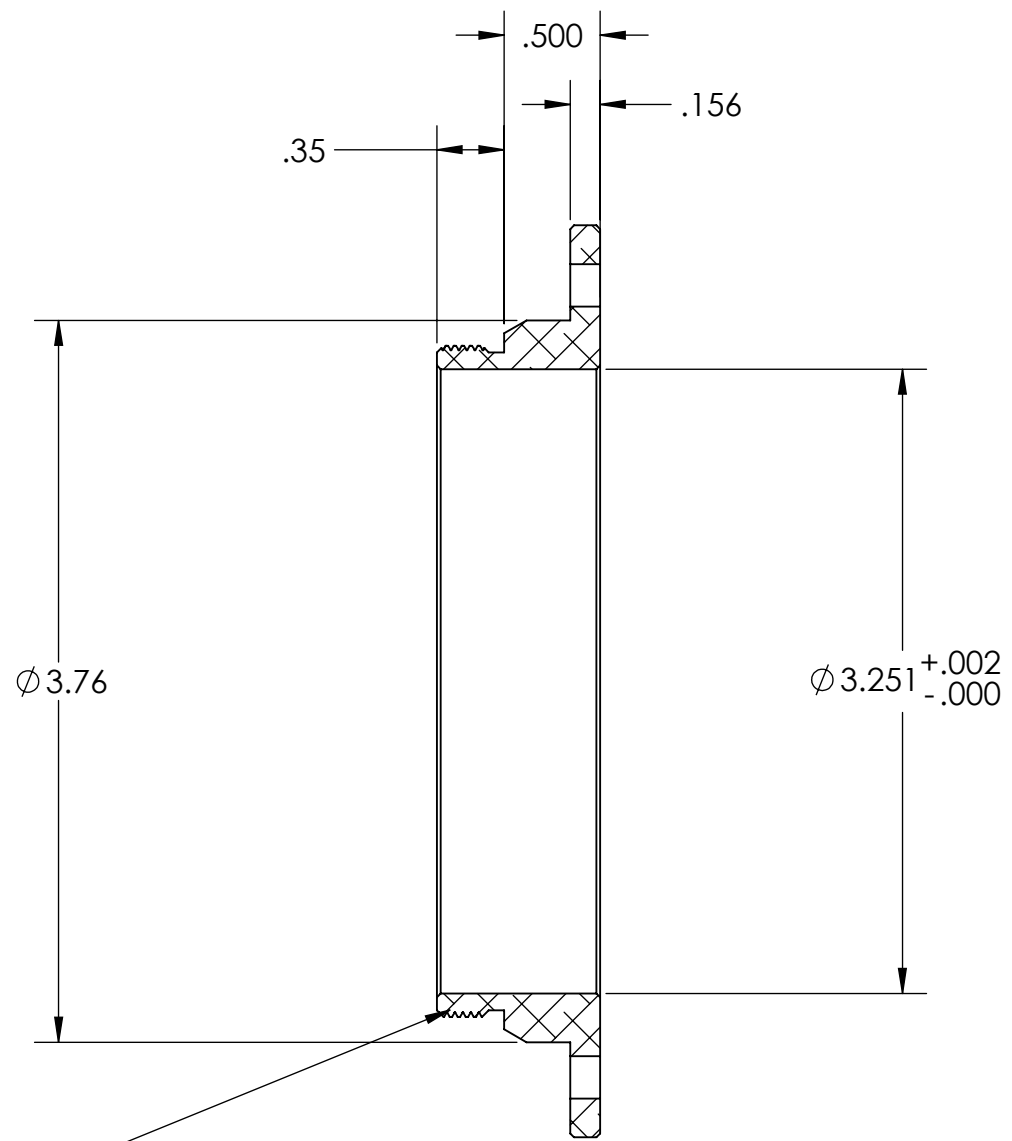
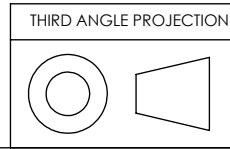


PN 5641  
STK. NO. 19920



DSI 3.5 X 24TPI MALE



UNLESS OTHERWISE SPECIFIED: DIMENSIONS ARE IN INCHES TWO PLACE DECIMAL ±.007 THREE PLACE DECIMAL ±.003	DRAWN	NAME	DATE	<b>Optec Inc.</b> TITLE: DSI 3.500" - 24 TO PW SECURE FIT CCD SPACER
	CHECKED	LD	4/10/13	
	ENG APPR.			
	MFG APPR.			
MATERIAL	CONTRACT			SIZE DWG. NO. <b>B</b> 19-06780
6061-T6	DSI			
FINISH	DO NOT SCALE DRAWING			SCALE: 1:1
				WEIGHT:
				SHEET 1 OF 1