

PN 5684
 STK. NO. 19917

D

C

B

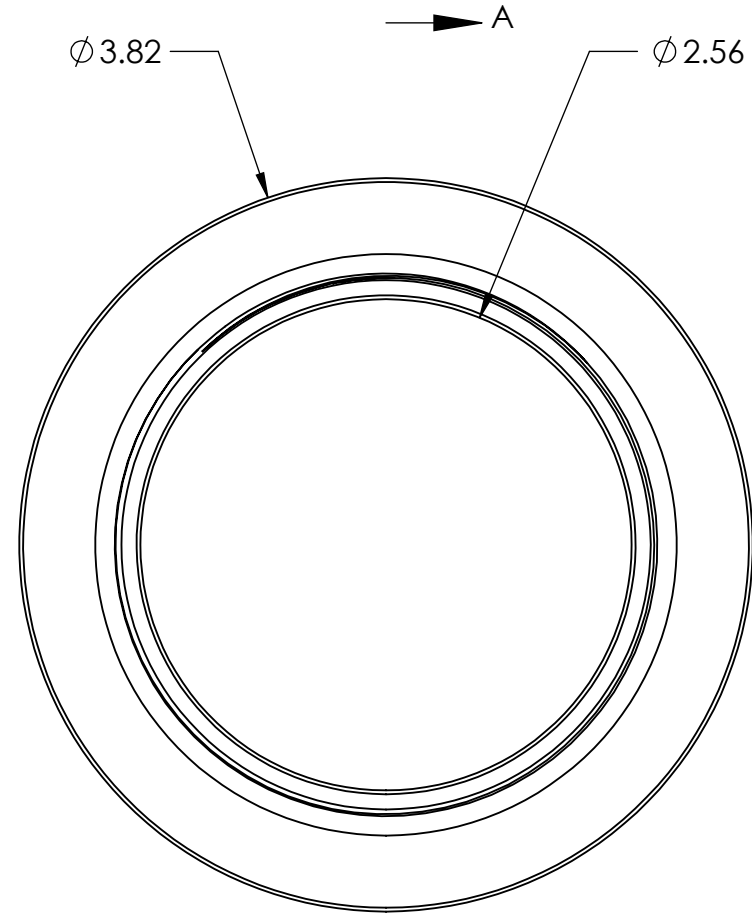
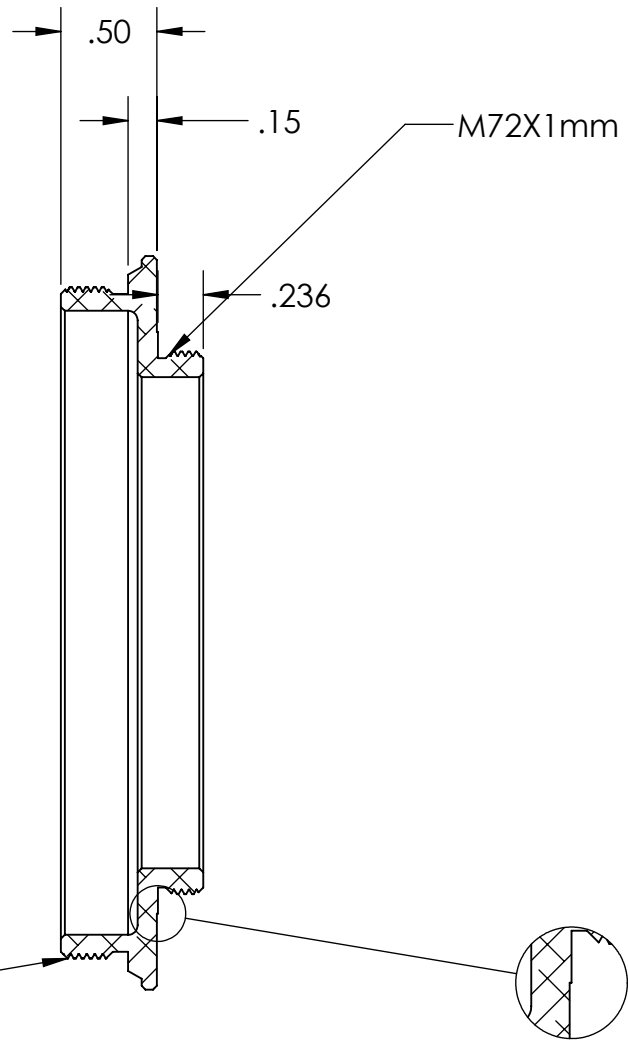
A

D

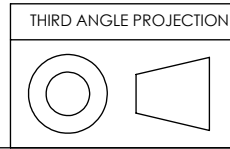
C

B

A



→ A



UNLESS OTHERWISE SPECIFIED: DIMENSIONS ARE IN INCHES TWO PLACE DECIMAL ±.007 THREE PLACE DECIMAL ±.003	DRAWN	NAME	DATE	Optec Inc. TITLE: DSI 3.500" - 24 TO M72x1mm
	CHECKED	LD	12/12/13	
	ENG APPR.			
	MFG APPR.			
MATERIAL 6061-T6	CONTRACT		Q.A.	SIZE
FINISH SEE NOTES	DSI			DWG. NO. 19-06789
DO NOT SCALE DRAWING				SCALE: 1:1
				WEIGHT:
				SHEET 1 OF 1

8

7

6

5

4

3

2

1