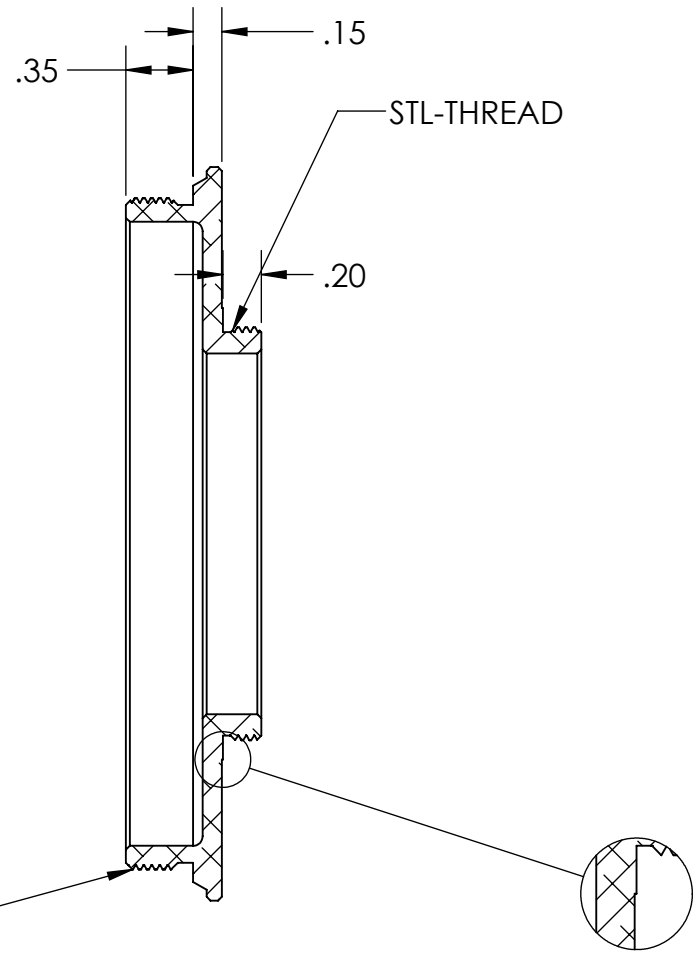
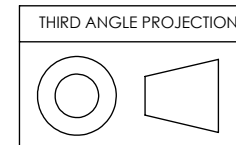
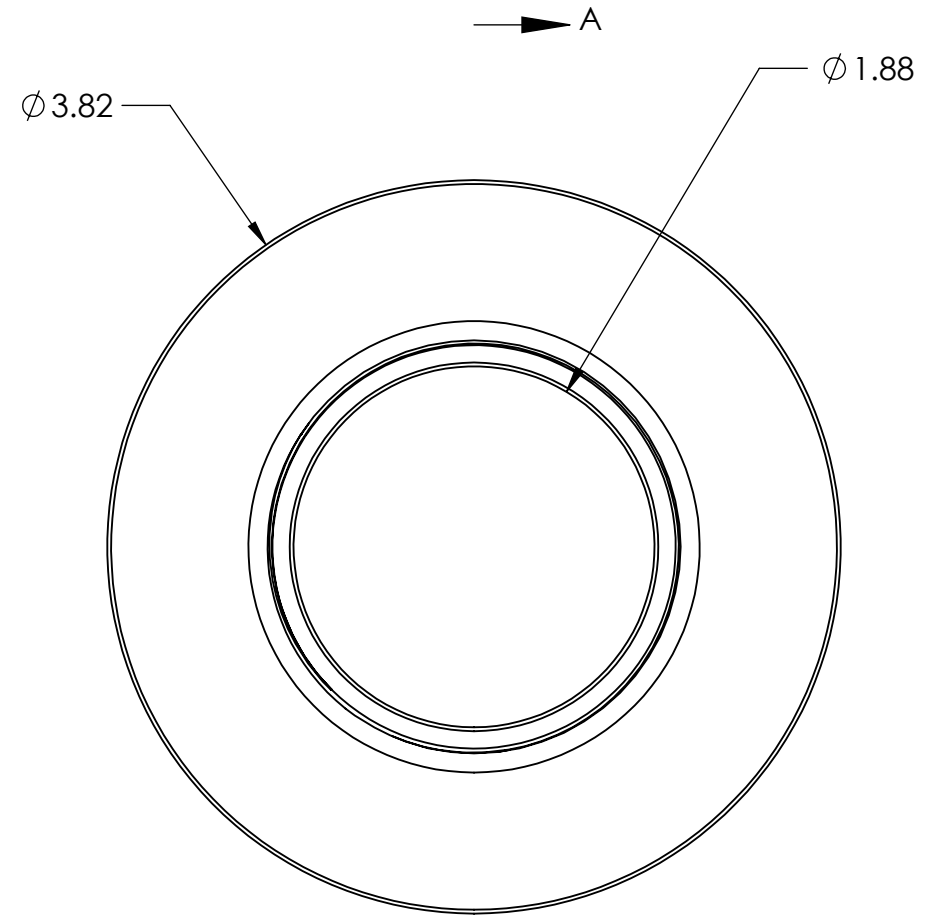


PN 5672
 STK. NO. 19914



DSI 3.500 - 24 UNS-2A



UNLESS OTHERWISE SPECIFIED: DIMENSIONS ARE IN INCHES TWO PLACE DECIMAL ±.007 THREE PLACE DECIMAL ±.003	DRAWN	NAME	DATE	Optec Inc. TITLE: DSI 3.500" - 24 TO STL THREAD
	CHECKED	LD	9/24/13	
	ENG APPR.			
	MFG APPR.			
MATERIAL	CONTRACT			SIZE
6061-T6	DSI			DWG. NO.
FINISH	SEE NOTES			B
DO NOT SCALE DRAWING				19-06786
	SCALE: 1:1	WEIGHT:	SHEET 1 OF 1	