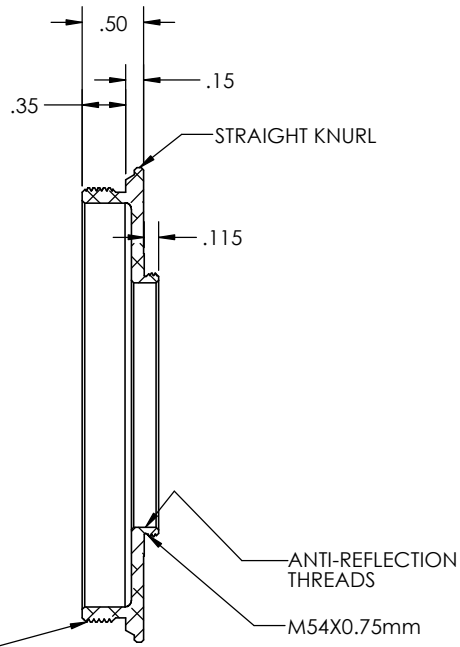
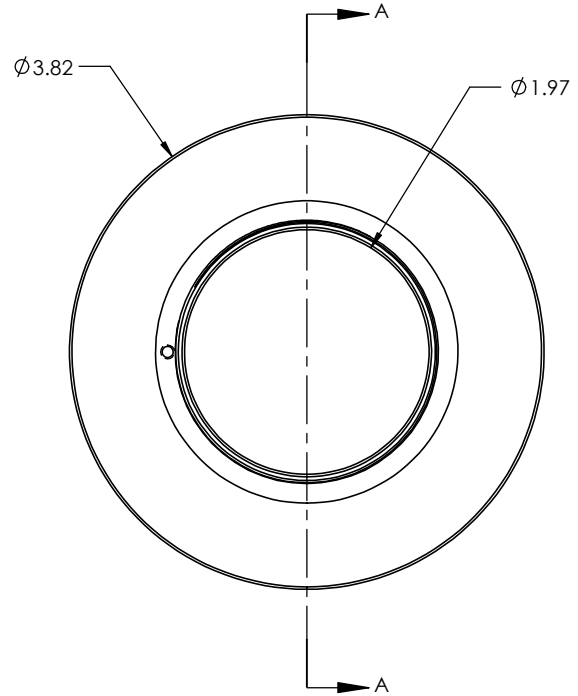


PN 5942
 STK. NO. 19911



DSI 3.500 - 24 UNS-2A



THIRD ANGLE PROJECTION



UNLESS OTHERWISE SPECIFIED:		NAME	DATE	Optec Inc.	
DIMENSIONS ARE IN INCHES TWO PLACE DECIMAL ± 0.07 THREE PLACE DECIMAL ± 0.03		DRAWN	LD		2/1/18
MATERIAL		CHECKED			
6061-T6		ENG APPR.			
FINISH SEE NOTES		MFG APPR.			
DO NOT SCALE DRAWING		Q.A.			
		CONTRACT		TITLE:	
		DSI		DSI 3.50-24 TO M54X0.75mm	
		SIZE	DWG. NO.		
		B	19-06798		
		SCALE: 1:1	WEIGHT:	SHEET 1 OF 1	