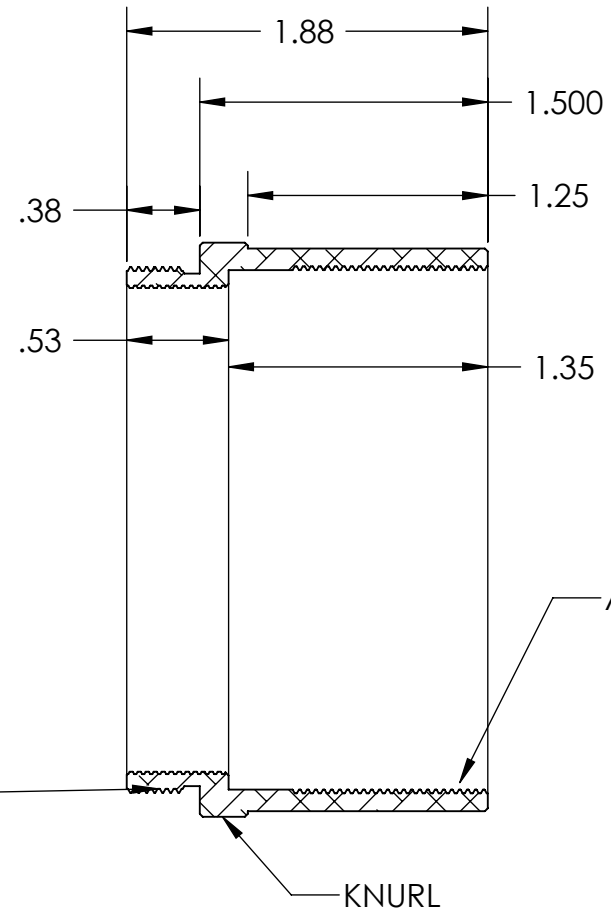


PN 5071
STK NO 19885

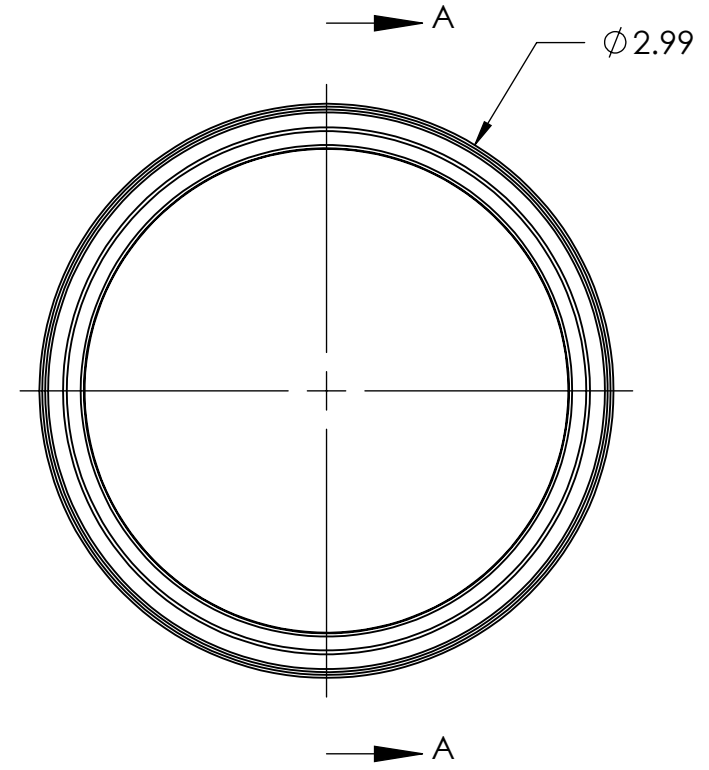


2.740-24 UNS-3A

KNURL

ASTRO-PHYSICS 2.7" FEMALE THREAD

SECTION A-A



UNLESS OTHERWISE SPECIFIED: DIMENSIONS ARE IN INCHES TOLERANCES: FRACTIONAL \pm ANGULAR: MACH \pm BEND \pm TWO PLACE DECIMAL \pm .007 THREE PLACE DECIMAL \pm .003	DRAWN	NAME	DATE	Optec Inc.
	CHECKED	BV	4/29/10	
	ENG APPR.			
	MFG APPR.			
MATERIAL	6061-T6	CONTRACT		TITLE: 1.50" EXTENSION
FINISH	SEE NOTES	AP 2.7 ADAPTERS		
DO NOT SCALE DRAWING		SIZE	DWG. NO.	
		B	19-06764	
		SCALE: 1:1	WEIGHT:	SHEET 1 OF 1

