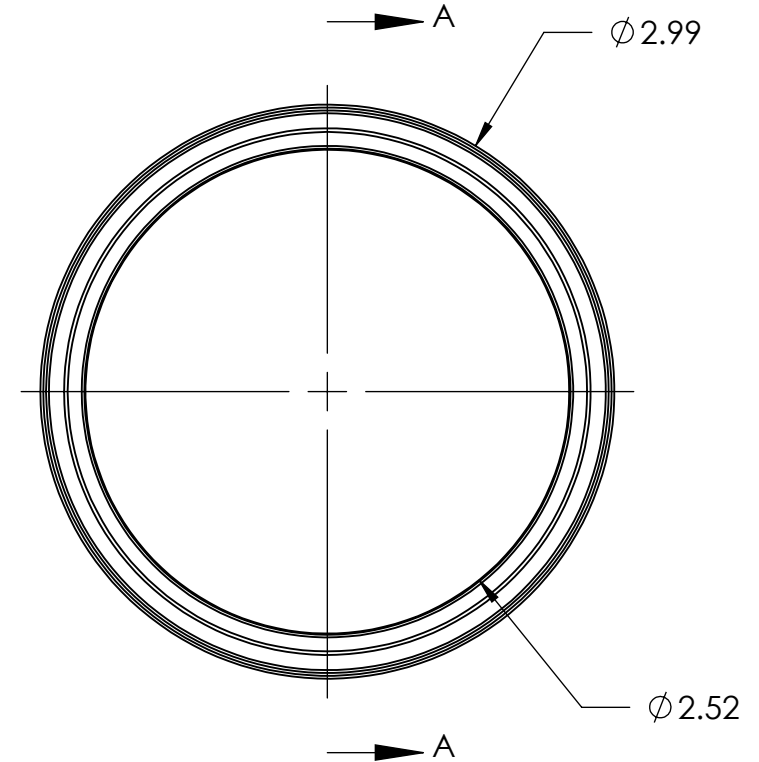
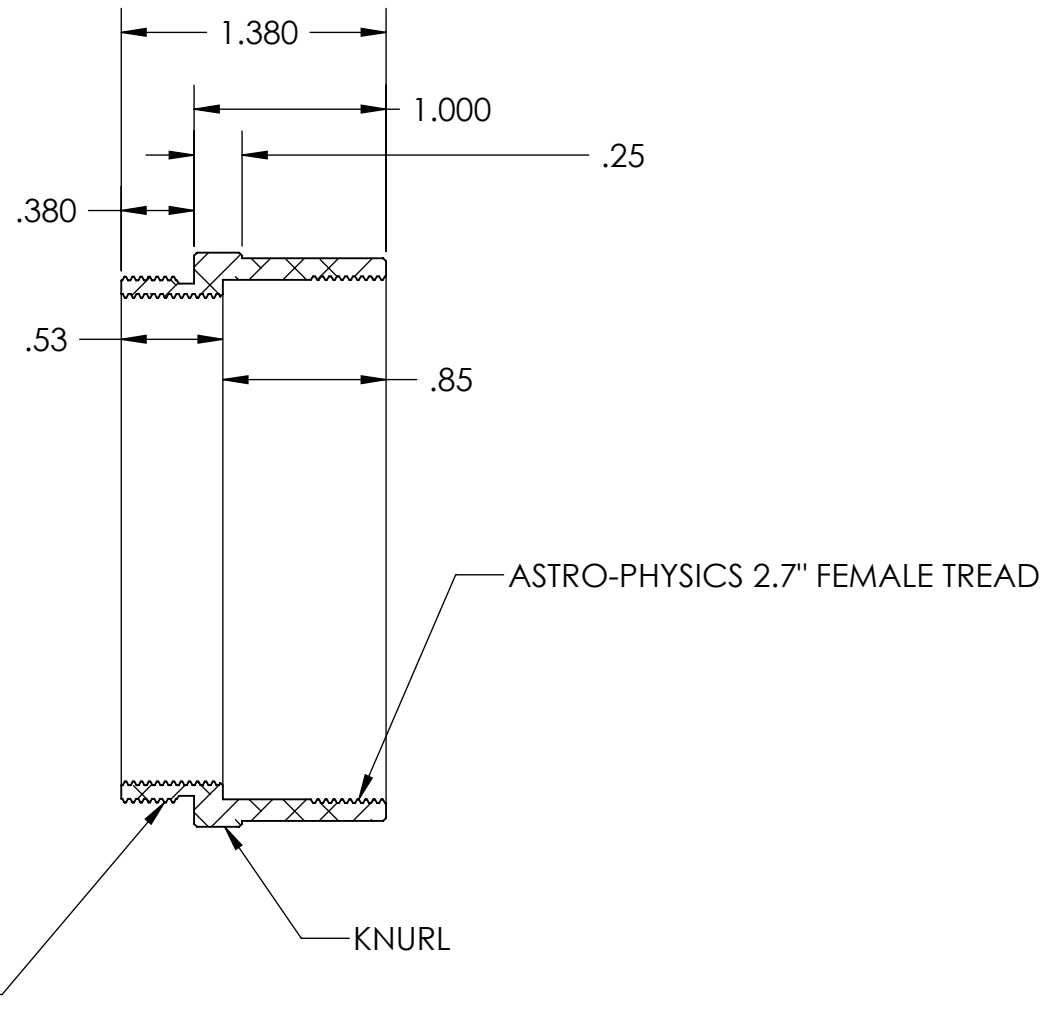
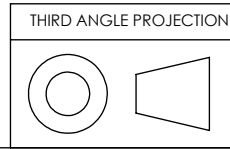


PN 5070
 STK NO 19884



UNLESS OTHERWISE SPECIFIED: DIMENSIONS ARE IN INCHES TOLERANCES: FRACTIONAL ± ANGULAR: MACH ± BEND ± TWO PLACE DECIMAL ±.007 THREE PLACE DECIMAL ±.003	DRAWN	NAME	DATE	Optec Inc.
	CHECKED	BV	4/28/10	
	ENG APPR.			
	MFG APPR.			
				TITLE: 1.00" EXTENSION
				SIZE DWG. NO. B 19-06763
				SCALE: 1:1 WEIGHT: SHEET 1 OF 1



MATERIAL	6061-T6
FINISH	SEE NOTES
DO NOT SCALE DRAWING	

CONTRACT
 AP 2.7 ADAPTERS