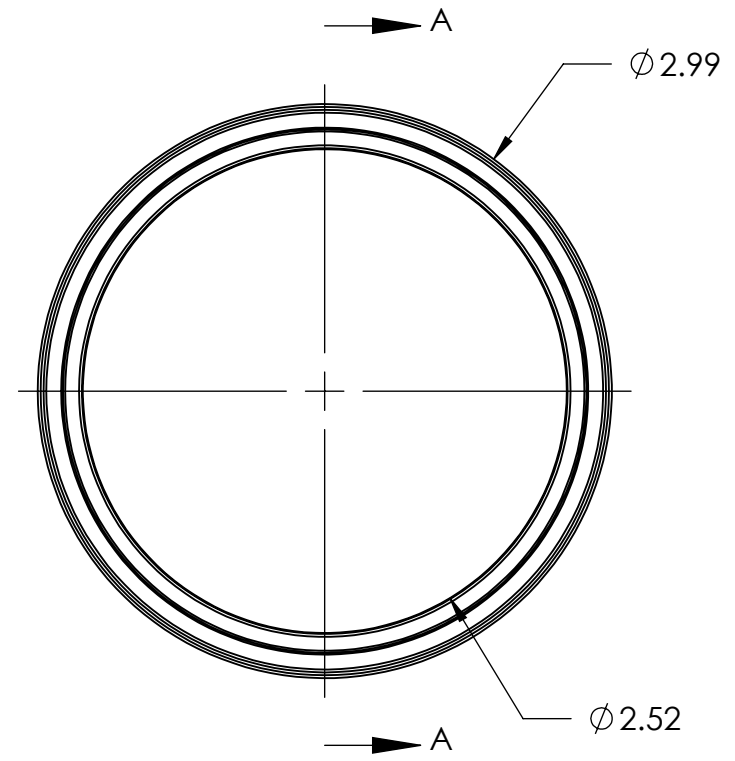
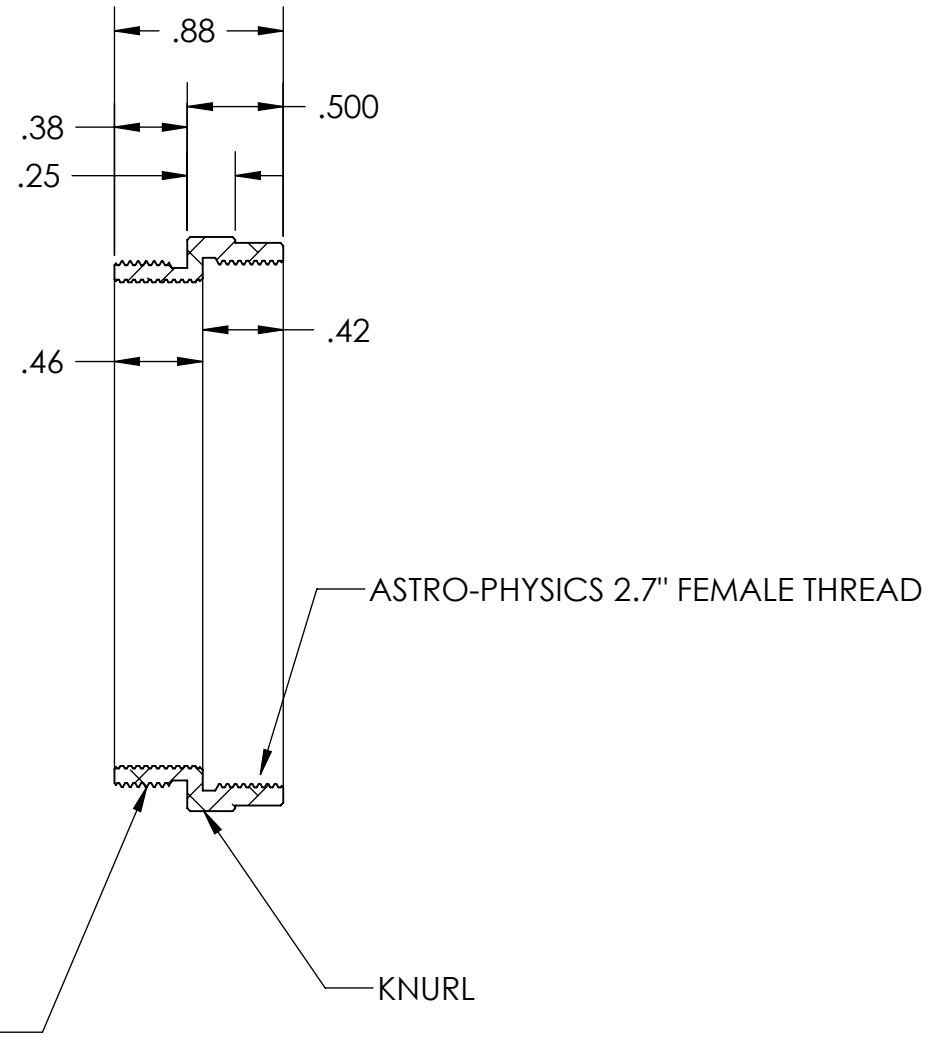


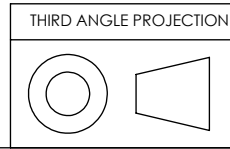
PN 5068  
 STK NO 19882



2.740-24 UNS-3A

KNURL

UNLESS OTHERWISE SPECIFIED: DIMENSIONS ARE IN INCHES TOLERANCES: FRACTIONAL $\pm$ ANGULAR: MACH $\pm$ BEND $\pm$ TWO PLACE DECIMAL $\pm .007$ THREE PLACE DECIMAL $\pm .003$	DRAWN	NAME	DATE	<b>Optec Inc.</b>	
	CHECKED	BV	4/28/10		
	ENG APPR.				
	MFG APPR.				
				TITLE:	
				.500" EXTENSION	
				SIZE	DWG. NO.
				<b>B</b>	19-06761
				SCALE: 1:1	WEIGHT:
					SHEET 1 OF 1



MATERIAL	6061-T6
FINISH	SEE NOTES
DO NOT SCALE DRAWING	

CONTRACT  
 AP 2.7 ADAPTERS

SIZE	DWG. NO.
<b>B</b>	19-06761
SCALE: 1:1	WEIGHT:
	SHEET 1 OF 1