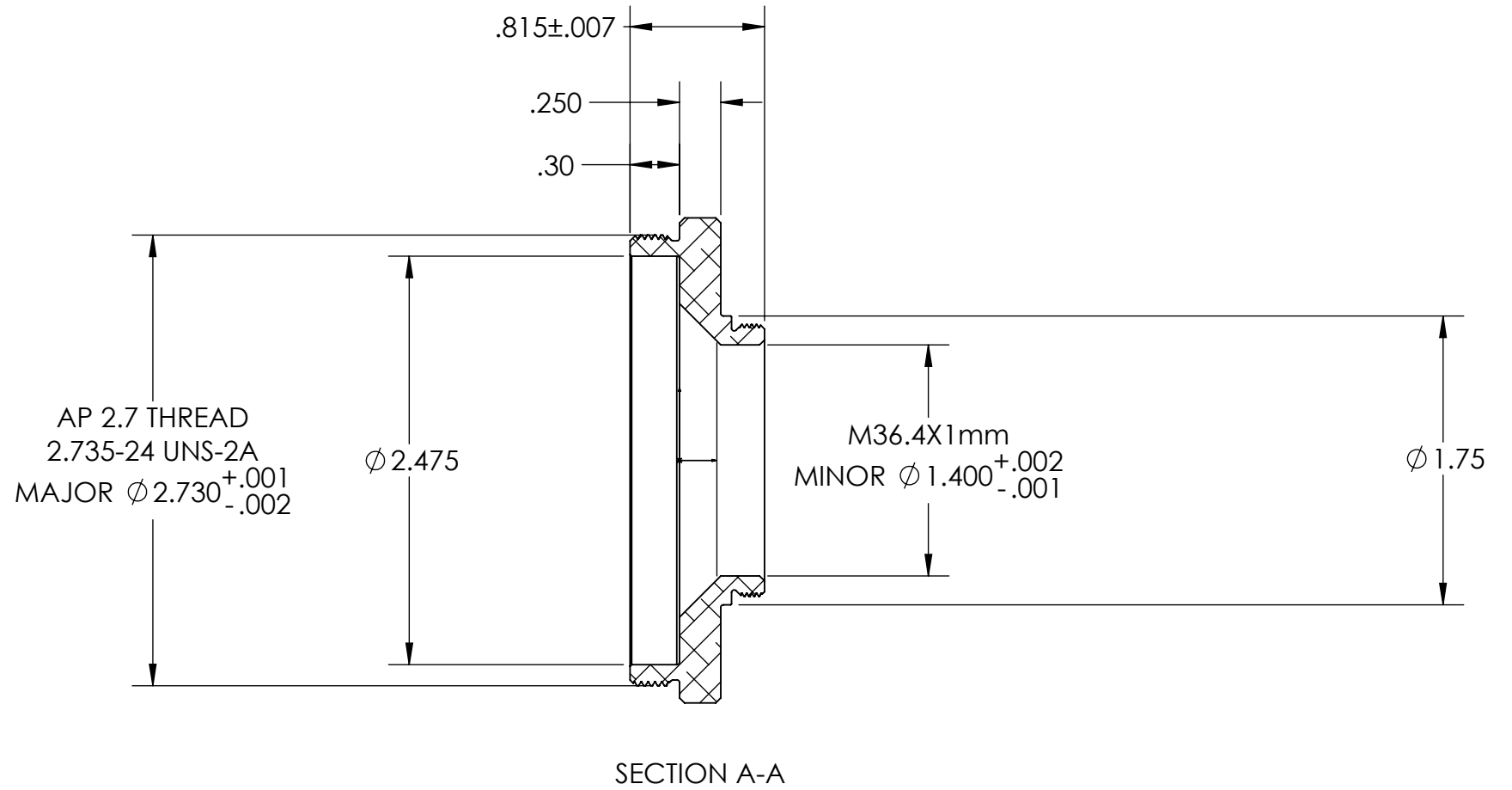
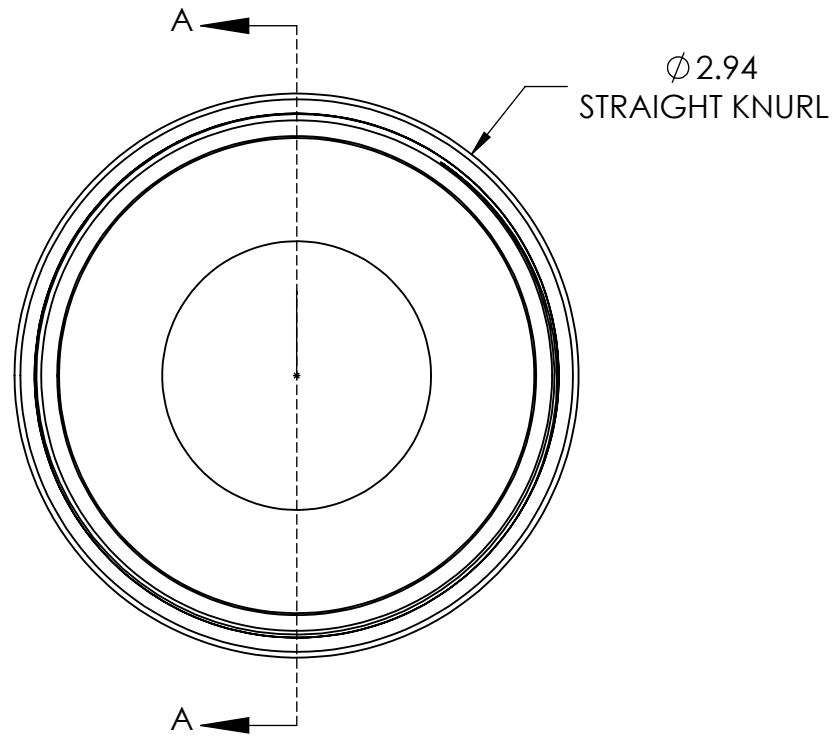


PN 5803
 STK NO. 19879



UNLESS OTHERWISE SPECIFIED: DIMENSIONS ARE IN INCHES TWO PLACE DECIMAL ±.007 THREE PLACE DECIMAL ±.003	DRAWN	NAME	DATE	Optec Inc.
	CHECKED	LD	8/26/15	
	ENG APPR.			
	MFG APPR.			
MATERIAL	6061-T6			TITLE: AP 2.7 TO T-THREAD/ TAKAHASHI M36.4X1mm
FINISH	SEE NOTES			
DO NOT SCALE DRAWING	CONTRACT AP 2.7 ADAPTERS			SIZE DWG. NO. B 19-06770
	SCALE: 1:1	WEIGHT:	SHEET 1 OF 1	

