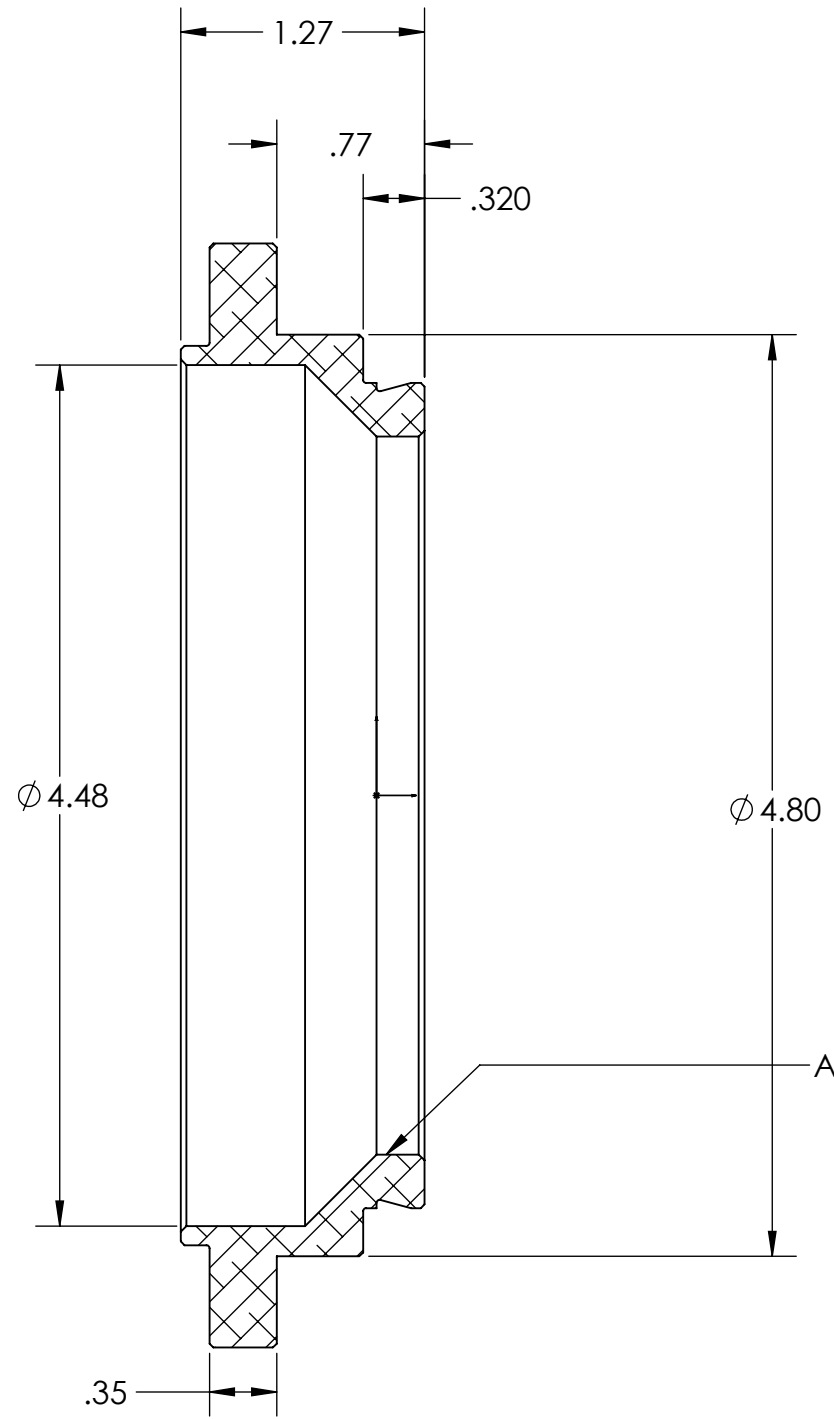


STK NO 19837



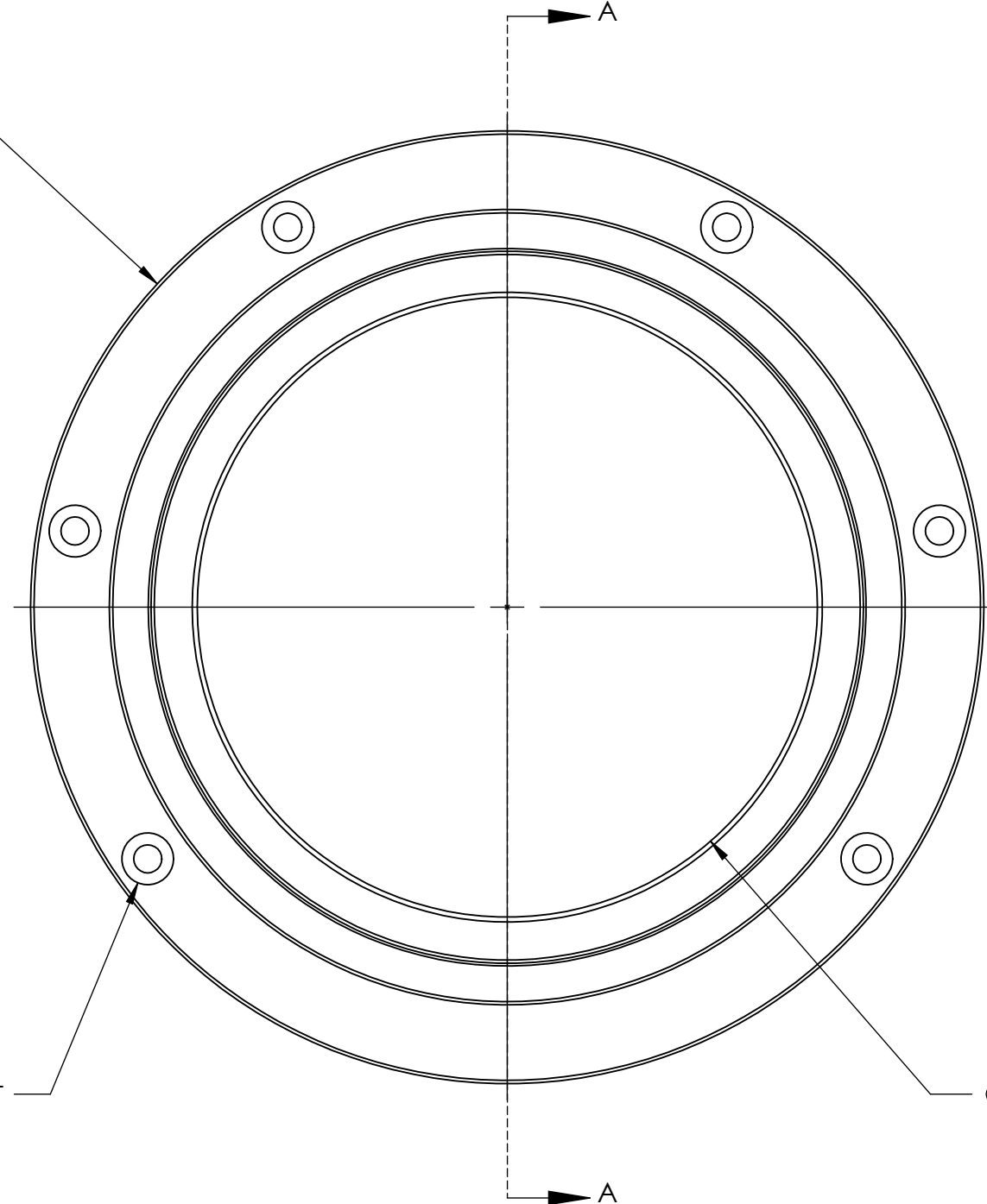
SECTION A-A

ANTI-REFLECTION
THREAD

6X ϕ .17 THRU ALL
 \square ϕ .313 ∇ .17

ϕ 5.75

ϕ 3.74



UNLESS OTHERWISE SPECIFIED: DIMENSIONS ARE IN INCHES TWO PLACE DECIMAL \pm .007 THREE PLACE DECIMAL \pm .003	DRAWN	NAME	DATE	Optec Inc. TITLE: AP RICCARDI-HONDERS TO OPTEC 4300
	CHECKED	LD	9/2/15	
	ENG APPR.			
	MFG APPR.			
MATERIAL	6061-T6			CONTRACT OPTEC 4300
FINISH	SEE NOTES			
DO NOT SCALE DRAWING				SIZE DWG. NO. B 19-13004
			SCALE: 1:1	WEIGHT:
			SHEET 1 OF 1	

