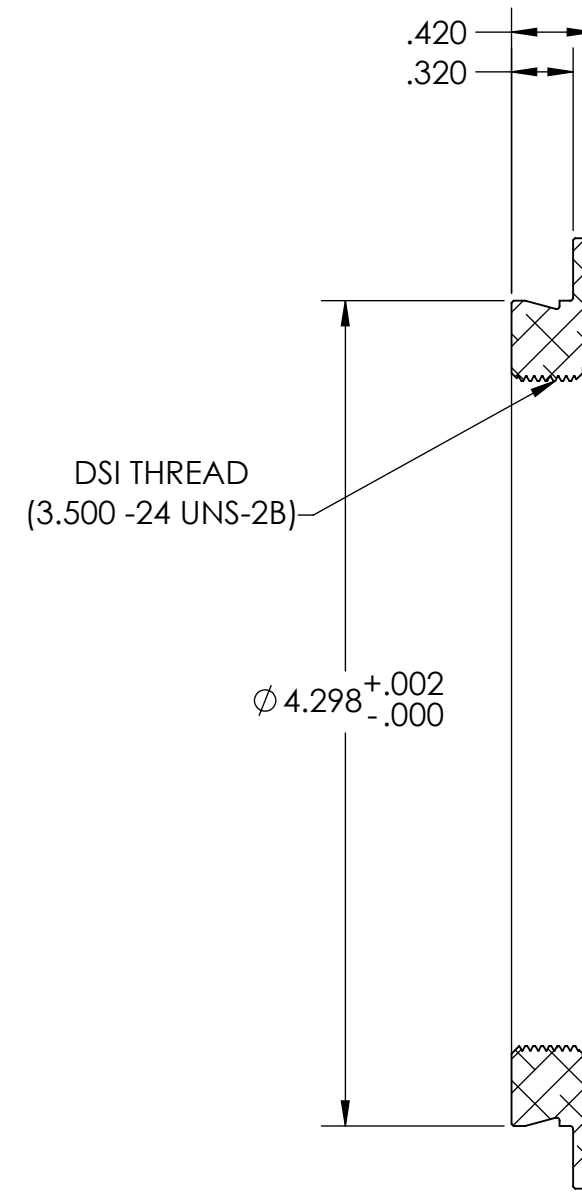
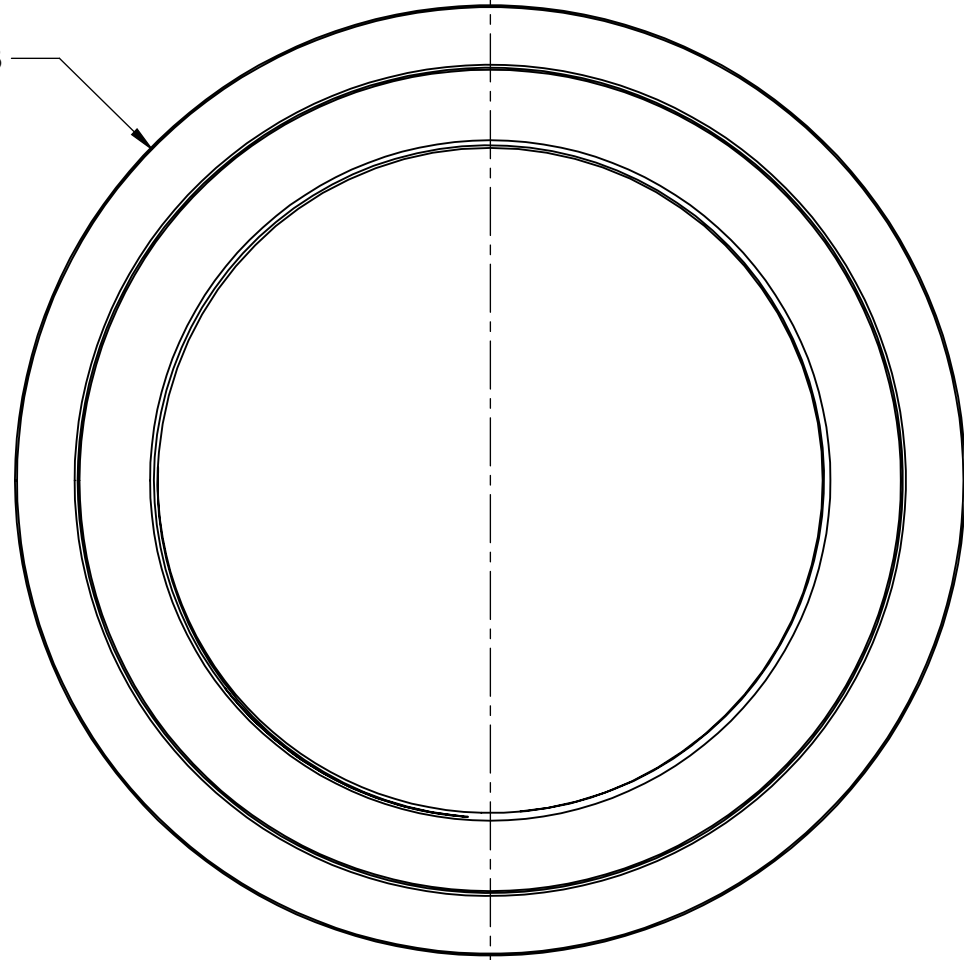
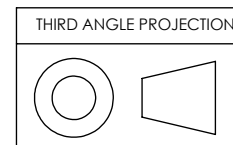


STK NO 19830

Ø 4.93



SECTION A-A



UNLESS OTHERWISE SPECIFIED: DIMENSIONS ARE IN INCHES TWO PLACE DECIMAL ±.007 THREE PLACE DECIMAL ±.003	DRAWN	NAME	DATE	Optec Inc.
	CHECKED	LD	1/30/13	
	ENG APPR.			
	MFG APPR.			
MATERIAL	CONTRACT			TITLE: DSI TO OPTEC-4300
6061-T6	OPTEC-4300			
FINISH	SEE NOTES	SIZE	DWG. NO.	SHEET 1 OF 1
DO NOT SCALE DRAWING		B	19-13001	
		SCALE: 1:1	WEIGHT:	