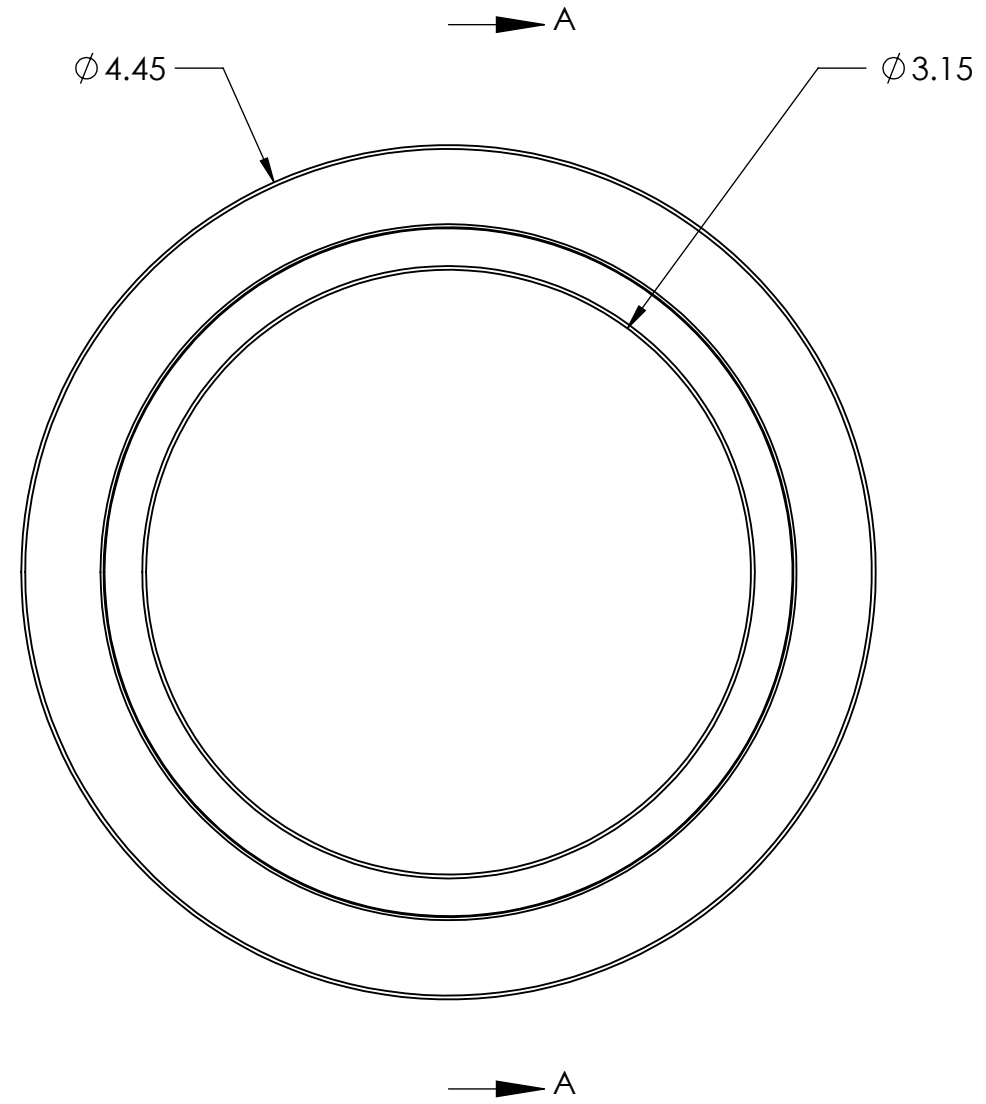
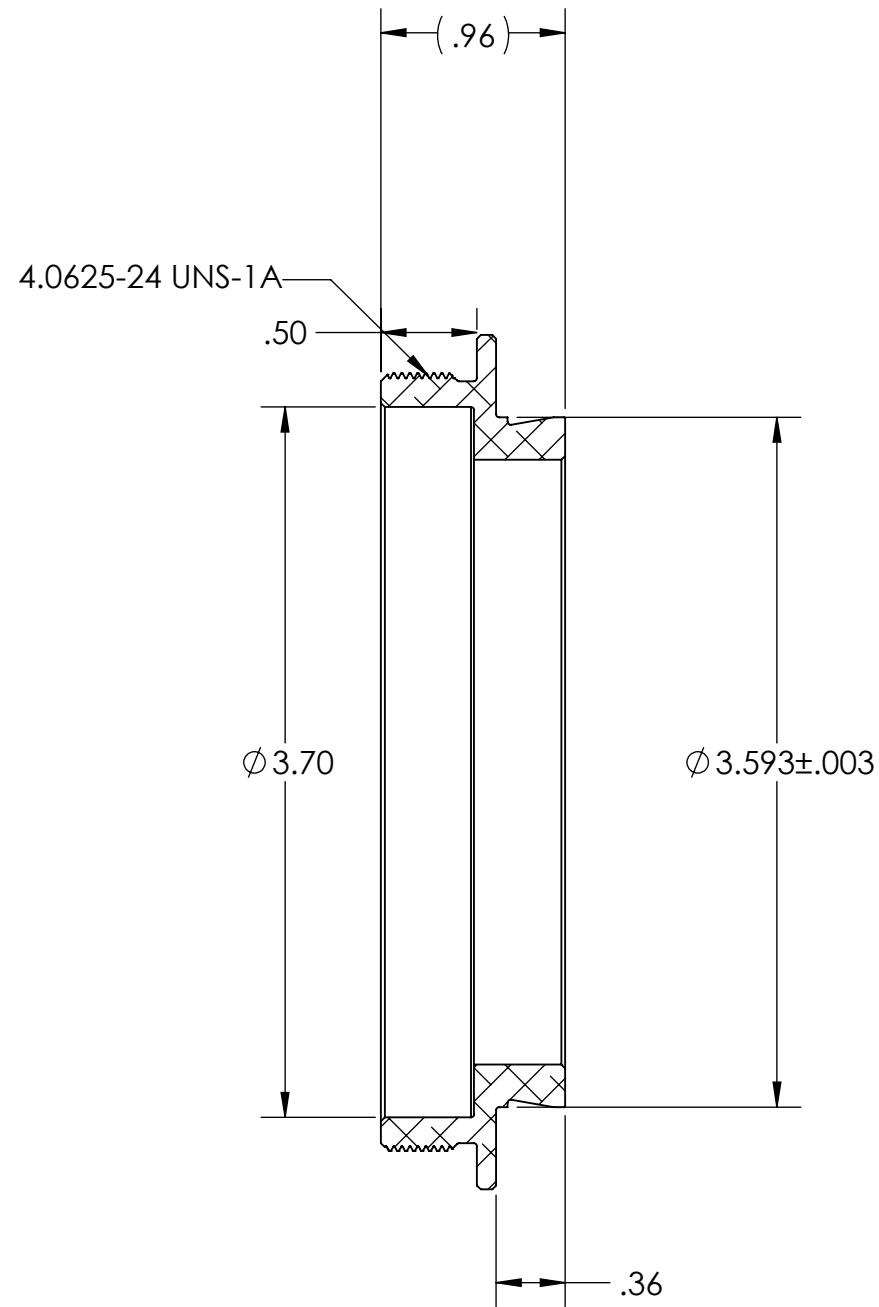
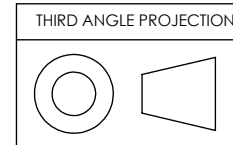


STK NO 19810



UNLESS OTHERWISE SPECIFIED: DIMENSIONS ARE IN INCHES TOLERANCES: FRACTIONAL ± ANGULAR: MACH ± BEND ± TWO PLACE DECIMAL ±.007 THREE PLACE DECIMAL ±.003	DRAWN	NAME	DATE	Optec Inc. TITLE: RCOS 100mm FIA TO OPTEC 3600		
	CHECKED	LD	7/1/13			
	ENG APPR.					
	MFG APPR.					
				Q.A.		
	CONTRACT					
	OPTEC-3600					
SIZE	DWG. NO.					
B	17-06891					
SCALE: 1:1	WEIGHT:	SHEET 1 OF 1				



MATERIAL	6061-T6
FINISH	SEE NOTES
DO NOT SCALE DRAWING	