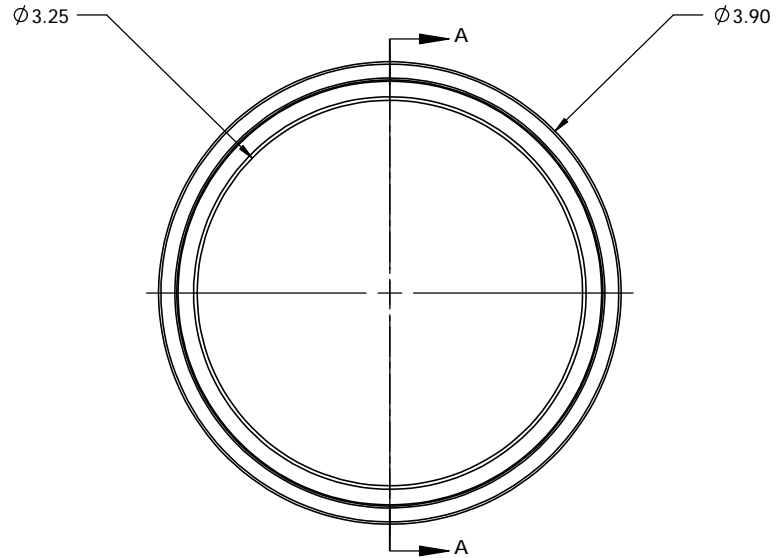
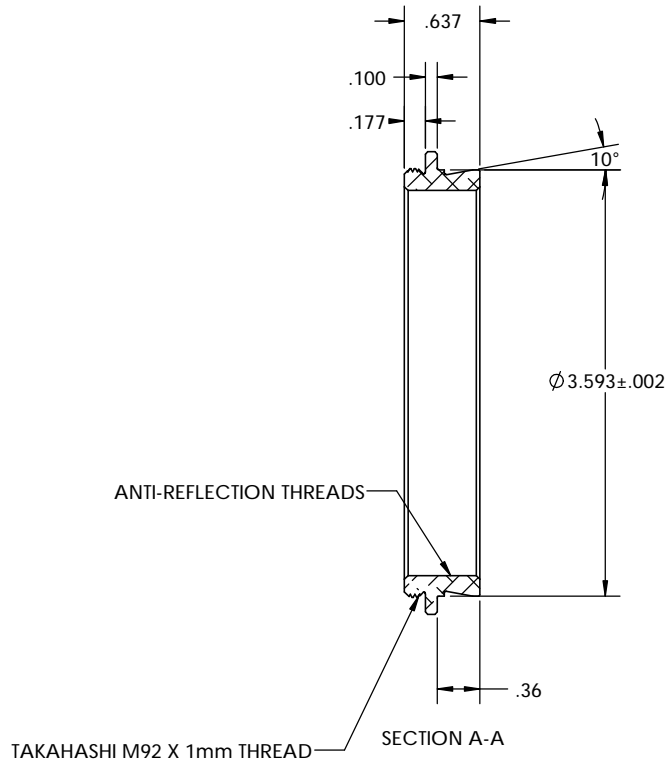


PN 5158
STK NO 19806



UNLESS OTHERWISE SPECIFIED: DIMENSIONS ARE IN INCHES TOLERANCES: FRACTIONAL ± ANGULAR: MACH ± BEND ± TWO PLACE DECIMAL ±.007 THREE PLACE DECIMAL ±.003	DRAWN	NAME	DATE	Optec Inc.
	CHECKED	LD	09/16/10	
	ENG APPR.			
	MFG APPR.			
	G.A.			TITLE:
	CONTRACT			TAK 92 X 1mm TO OPTEC 3600
MATERIAL	6061-T6			SIZE DWG. NO.
FINISH	SEE NOTES			B 17-06885
DO NOT SCALE DRAWING	OPTEC-3600			SCALE: 1:1 WEIGHT: SHEET 1 OF 1

