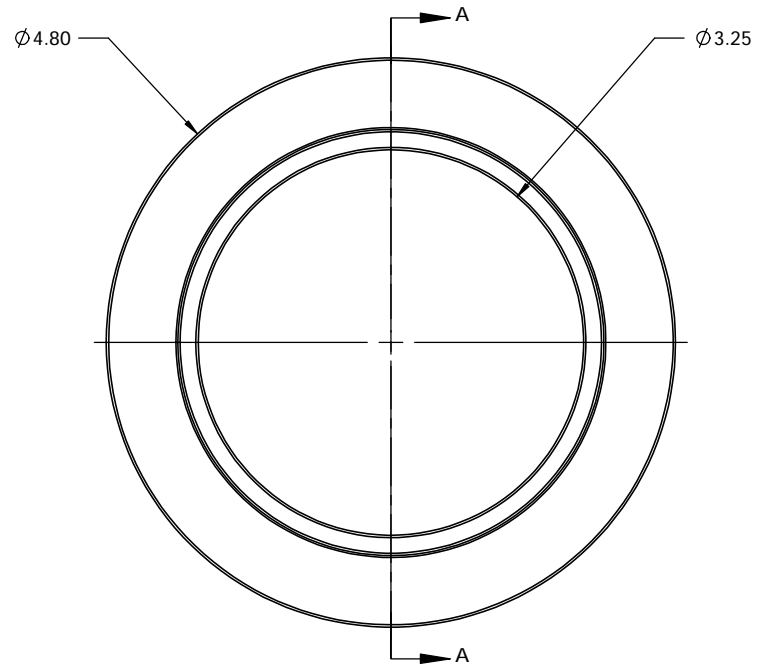
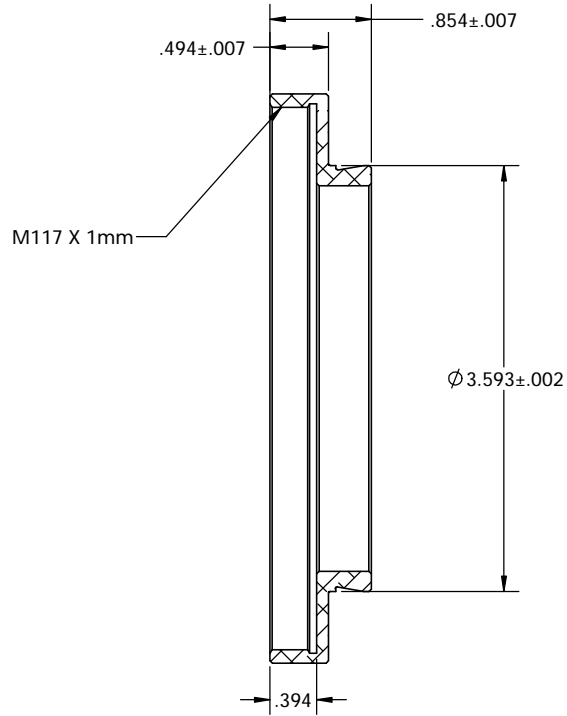


PN 5053  
 STK NO 19804



UNLESS OTHERWISE SPECIFIED: DIMENSIONS ARE IN INCHES TOLERANCES: FRACTIONAL ± ANGULAR: MACH ± BEND ± TWO PLACE DECIMAL ±.007 THREE PLACE DECIMAL ±.003	DRAWN	NAME	DATE	<b>Optec Inc.</b>
	CHECKED	LD	04/01/10	
	ENG APPR.			
	MFG APPR.			
	Q.A.			TITLE: <b>M117 X 1mm</b>
THIRD ANGLE PROJECTION	MATERIAL <b>6061-T6</b>	CONTRACT		SIZE
	FINISH FROSTKOTE BRIGHT DIP BLACK	OPTEC-3600		DWG. NO. <b>B 17-06882</b>
	DO NOT SCALE DRAWING			SCALE: 1:1
				WEIGHT:
				SHEET 1 OF 1