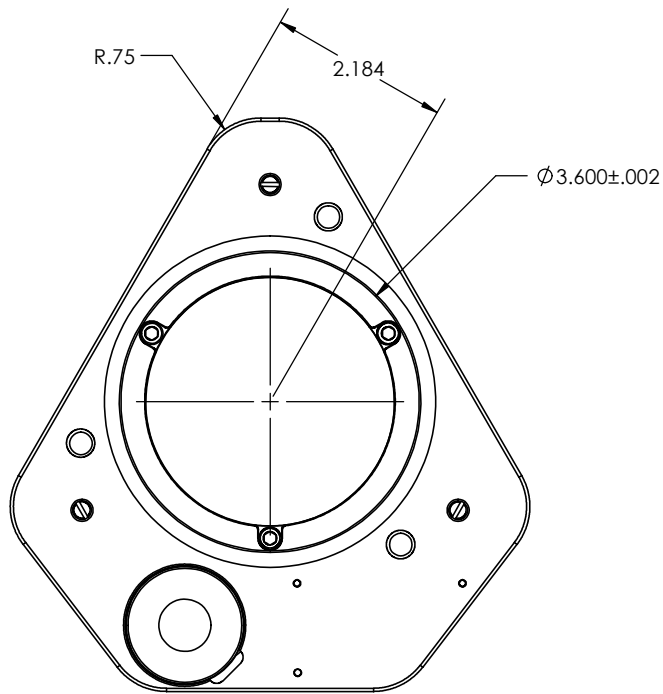
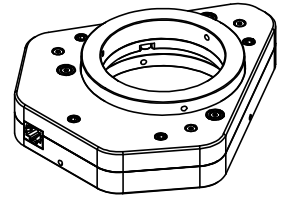
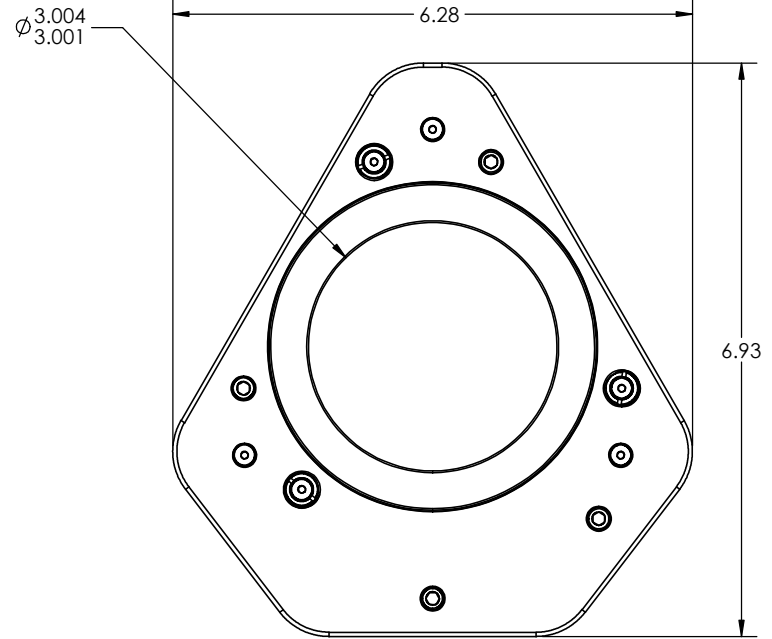
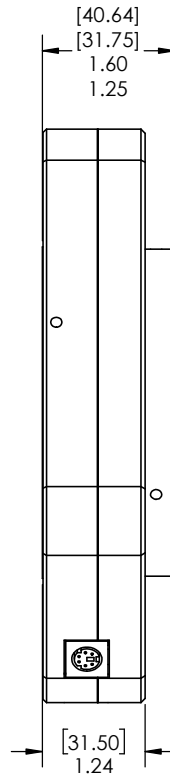


STOCK NO. 19740



TELESCOPE SIDE

36.20mm AT MIDPOINT



CAMERA SIDE

WEIGHT: 1lb 14oz (0.85kg)

THIRD ANGLE PROJECTION



UNLESS OTHERWISE SPECIFIED:		NAME	DATE	Optec Inc.			
DIMENSIONS ARE IN INCHES TWO PLACE DECIMAL ±.007 THREE PLACE DECIMAL ±.003		DRAWN				TITLE: TCF-LEO	
MATERIAL		CHECKED					
6061-T6		ENG APPR.					
FINISH		MFG APPR.		Q.A.			
DO NOT SCALE DRAWING		CONTRACT		SIZE DWG. NO.			
		TCF-LEO		SCALE: 2:3 WEIGHT: SHEET 1 OF 1			