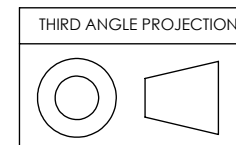
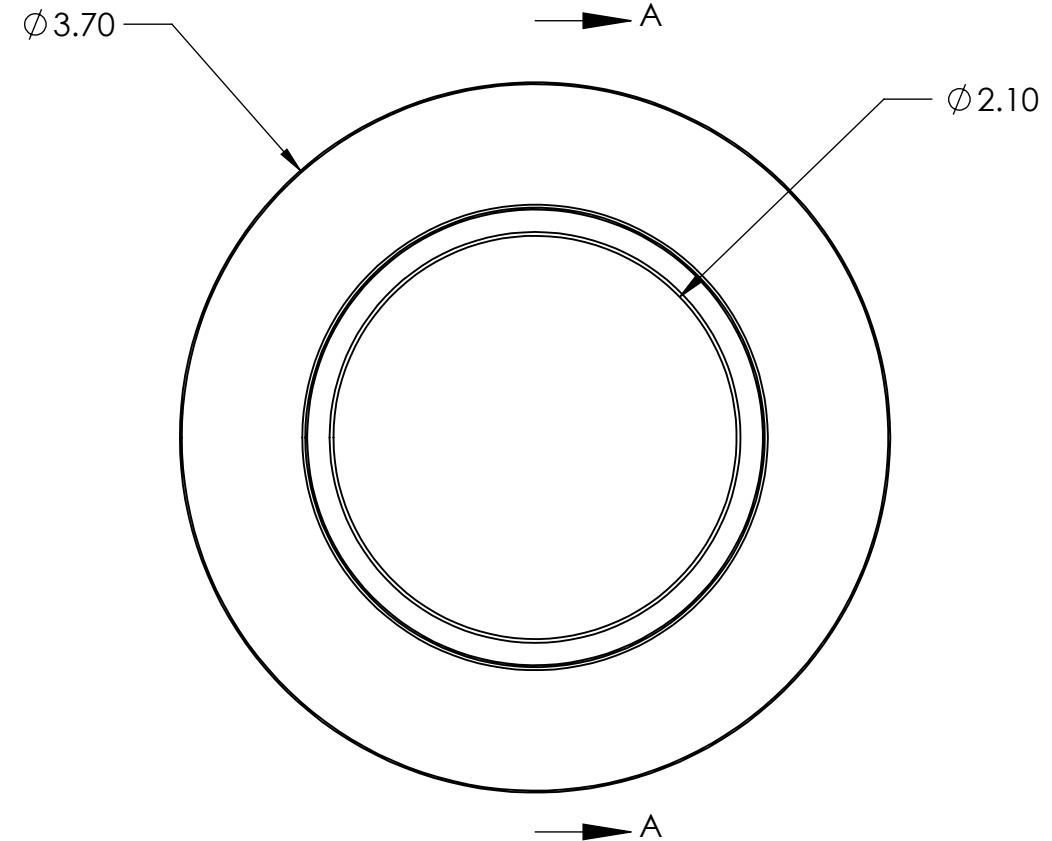
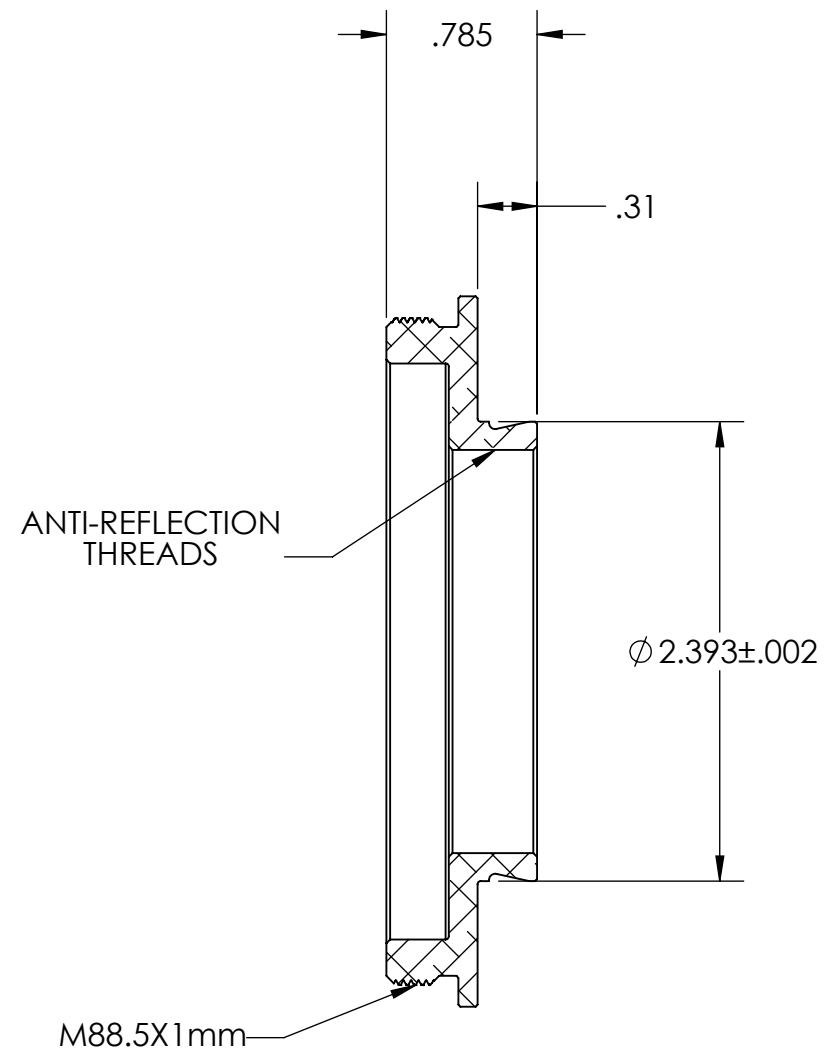


STK NO 19666



| | | | | |
|---|------------|---------|--------------|--------------------------|
| UNLESS OTHERWISE SPECIFIED: DIMENSIONS ARE IN INCHES TWO PLACE DECIMAL $\pm .007$ THREE PLACE DECIMAL $\pm .003$ | DRAWN | NAME | DATE | Optec Inc. |
| | CHECKED | LD | 11/18/14 | |
| | ENG APPR. | | | |
| | MFG APPR. | | | |
| MATERIAL | CONTRACT | | | TITLE: |
| 6061-T6 | OPTEC-2400 | | | OPTEC 2400 TO STELLARVUE |
| FINISH | SEE NOTES | | | SIZE DWG. NO. |
| DO NOT SCALE DRAWING | | | | B 19-06783 |
| | SCALE: 1:1 | WEIGHT: | SHEET 1 OF 1 | |