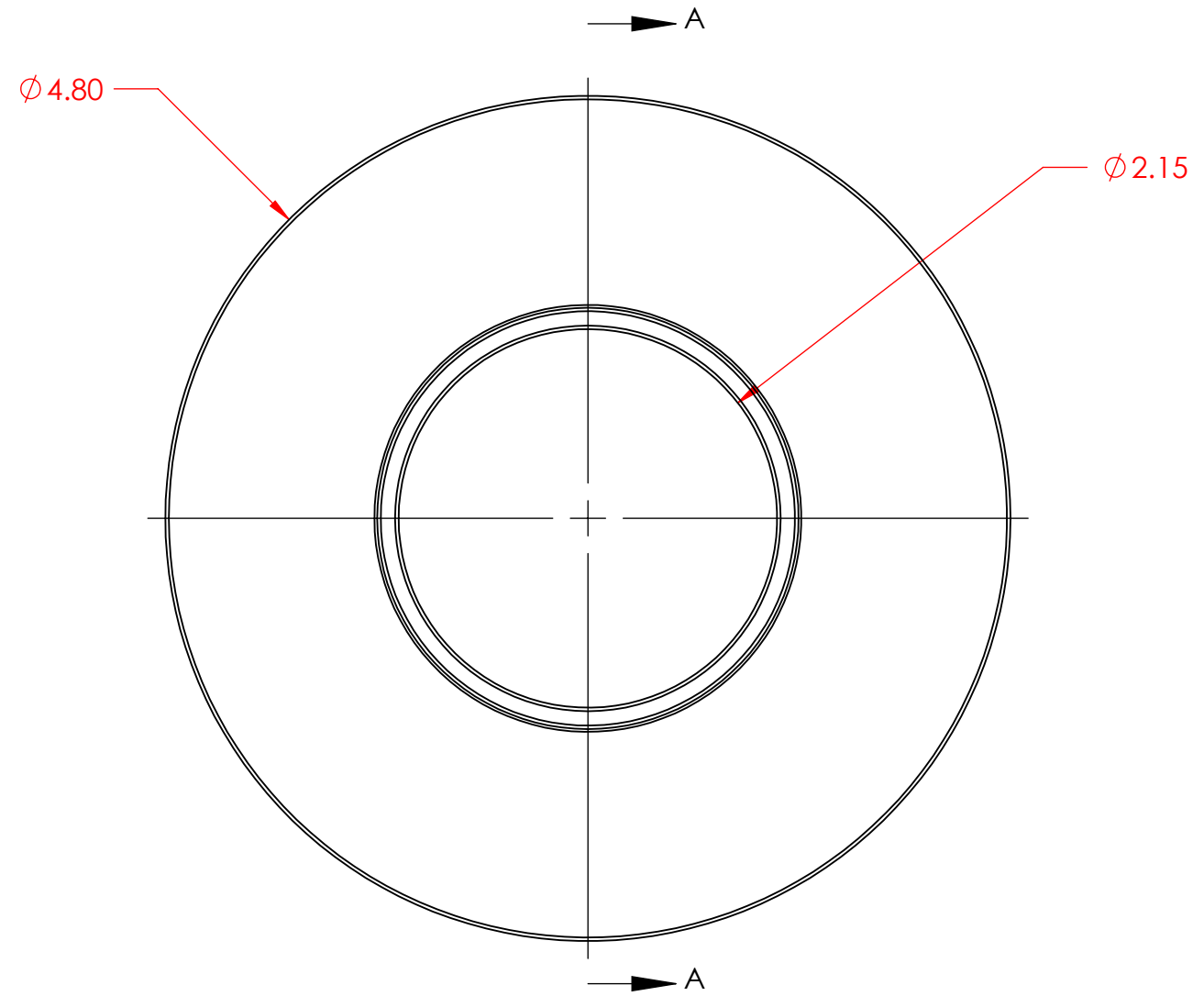
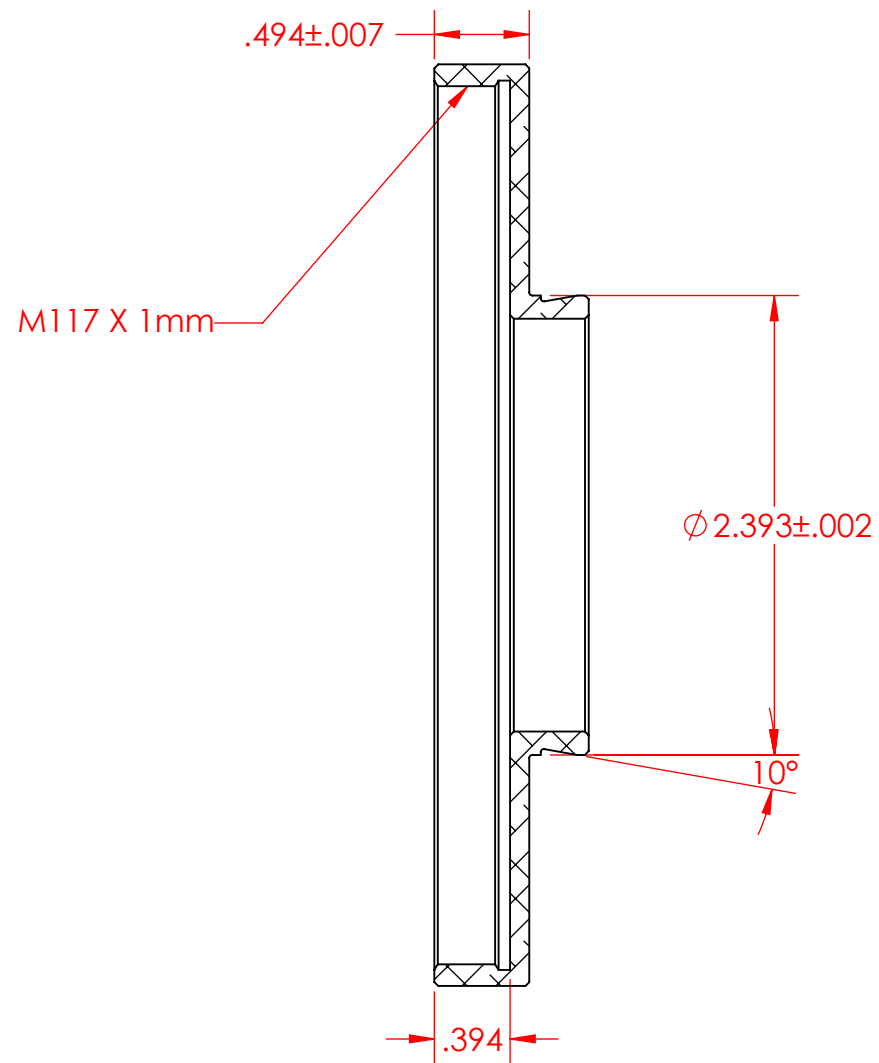


PN 5052
STK NO 19665



UNLESS OTHERWISE SPECIFIED: DIMENSIONS ARE IN INCHES TOLERANCES: FRACTIONAL \pm ANGULAR: MACH \pm BEND \pm TWO PLACE DECIMAL $\pm .007$ THREE PLACE DECIMAL $\pm .003$	DRAWN	NAME	DATE	Optec Inc. TITLE: M117 X 1mm TO OPTEC-2400
	CHECKED	LD	04/01/10	
	ENG APPR.			
	MFG APPR.			
				Q.A.
	CONTRACT			
	OPTEC-2400			
	MATERIAL	6061-T6		SIZE DWG. NO.
	FINISH	FROSTKOTE BRIGHT DIP BLACK		B 17-06881
	DO NOT SCALE DRAWING			SCALE: 1:1 WEIGHT: SHEET 1 OF 1

