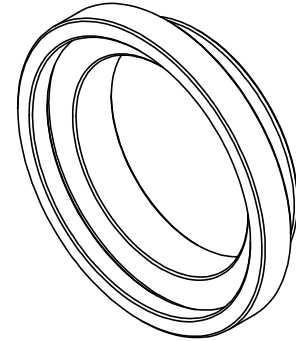
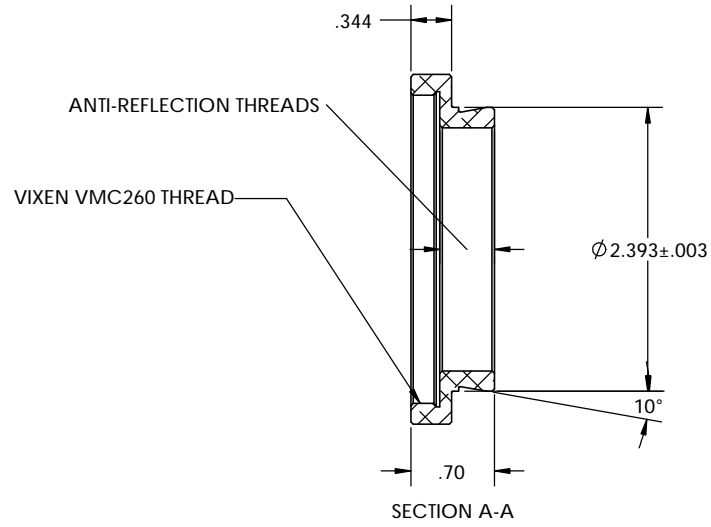
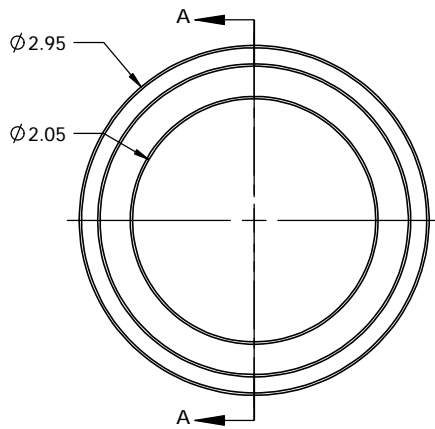


PN 5009  
STK. NO. 19661



UNLESS OTHERWISE SPECIFIED:		DRAWN	NAME	DATE	<b>Optec Inc.</b>
DIMENSIONS ARE IN INCHES		CHECKED	LD	11/04/09	
TOLERANCES:		ENG APPR.			
FRACTIONAL ±		MFG APPR.			
ANGULAR: MACH ± BEND ±		Q.A.			TITLE:
TWO PLACE DECIMAL ±.007		CONTRACT			VIXEN VMC260 TO OPTEC 2400
THREE PLACE DECIMAL ±.003					
MATERIAL					
FINISH		OPTEC-2400			SIZE
DO NOT SCALE DRAWING					DWG. NO. <b>B 17-06704</b>
THIRD ANGLE PROJECTION		SCALE: 1:1			
					SHEET 1 OF 1