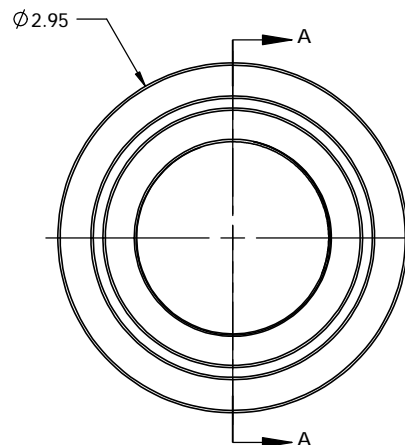
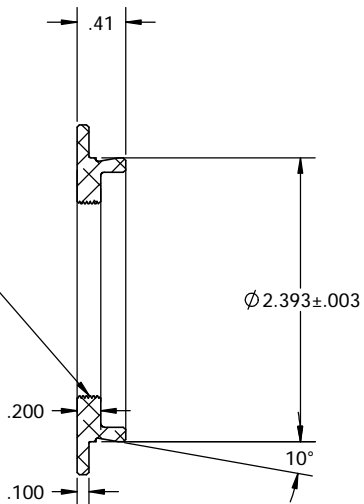


PN 5004
STOCK NO 19650

T-THREAD



THIRD ANGLE PROJECTION	UNLESS OTHERWISE SPECIFIED:	DRAWN	NAME	DATE	Optec Inc.
	DIMENSIONS ARE IN INCHES	LD	LD	10/15/09	
	TOLERANCES:	CHECKED			TITLE:
	FRACTIONAL \pm	ENG APPR.			FEMALE T-THREAD TO
ANGULAR: MACH \pm BEND \pm	MFG APPR.				OPTEC 2400
TWO PLACE DECIMAL $\pm .007$	G.A.				SIZE DWG. NO.
THREE PLACE DECIMAL $\pm .003$	CONTRACT				B 17-06336
MATERIAL	OPTEC-2400				SCALE: 1:1 WEIGHT: SHEET 1 OF 1
FINISH FROSTKOTE BRIGHT DIP BLACK					
DO NOT SCALE DRAWING					