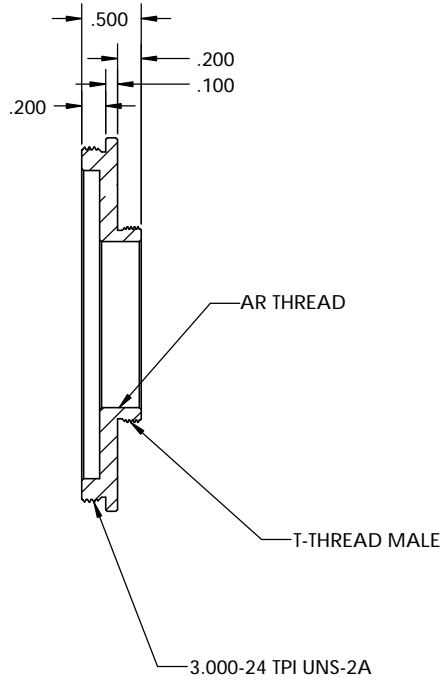
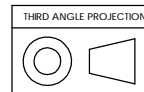
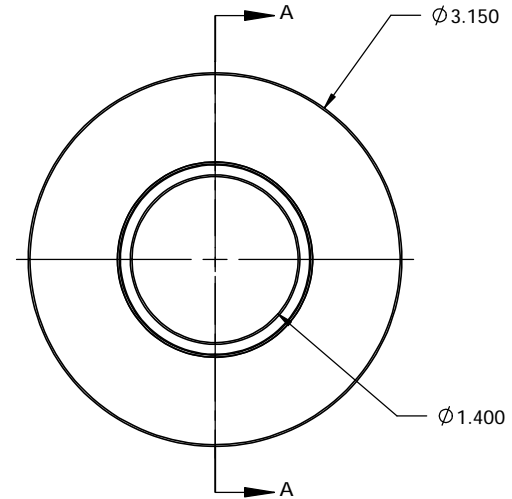


PN: 5055
 STK No: 19371



SECTION A-A



UNLESS OTHERWISE SPECIFIED: DIMENSIONS ARE IN INCHES TOLERANCES: FRACTIONAL ± ANGULAR: MACH ± BEND ± TWO PLACE DECIMAL ±.007 THREE PLACE DECIMAL ±.003	DRAWN	NAME	DATE	Optec Inc.
	CHECKED	BV	4/5/10	
	ENG APPR.			
	MFG APPR.			
	Q.A.			TITLE:
MATERIAL	CONTRACT			SIZE DWG. NO.
6061-T6	3"X24TPI ADAPTER			
FINISH FROSTKOTE BRIGHT DIP BLACK				SCALE: 1:1
DO NOT SCALE DRAWING				WEIGHT: SHEET 1 OF 1