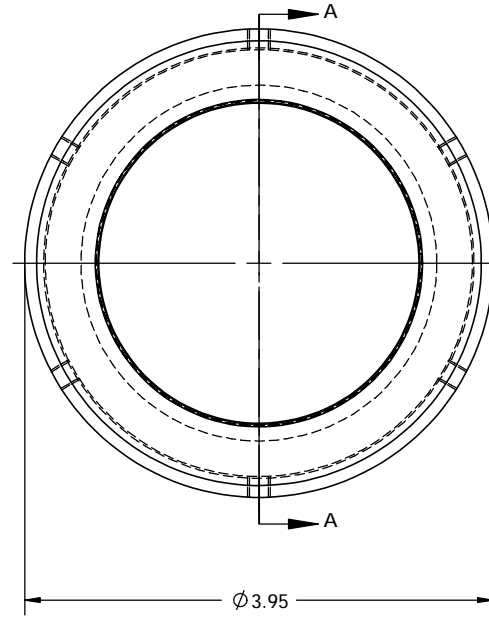
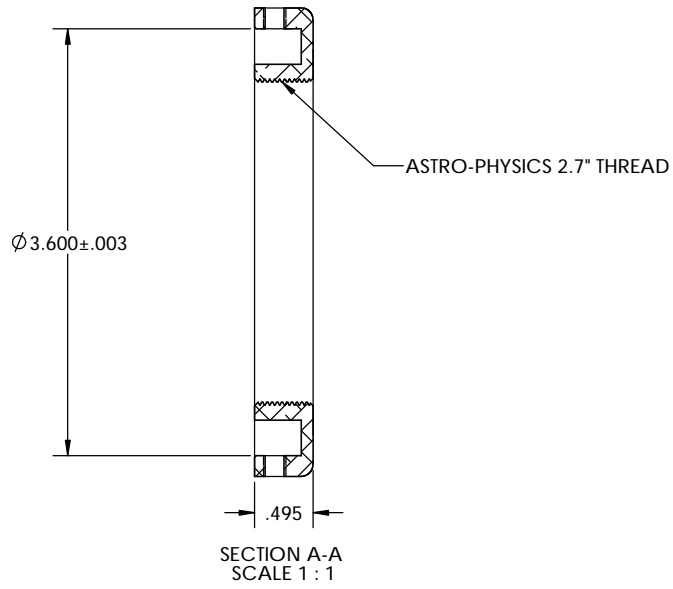


PN 4918
 STK. NO. 17858



UNLESS OTHERWISE SPECIFIED: DIMENSIONS ARE IN INCHES TOLERANCES: FRACTIONAL ± ANGULAR: MACH ± BEND ± TWO PLACE DECIMAL ±.007 THREE PLACE DECIMAL ±.003	DRAWN	NAME	DATE	Optec, Inc. TITLE: AP 2.7" FEMALE MOUNT
	CHECKED	LD	04/28/09	
	ENG APPR.			
	MFG APPR.			
	Q.A.			
THIRD ANGLE PROJECTION	MATERIAL	CONTRACT		SIZE
	6061-T6	OPTEC-3600		DWG. NO.
	FINISH FROSTY QTE BRIGHT DIP BLACK			B
	DO NOT SCALE DRAWING			SCALE: 1:2
				WEIGHT:
				SHEET 1 OF 1