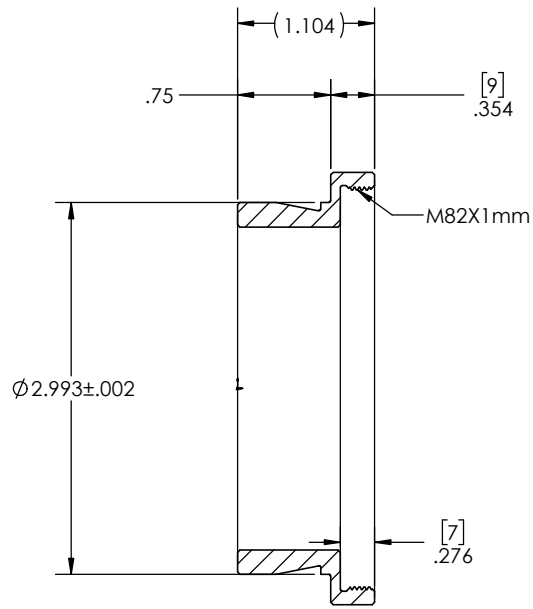
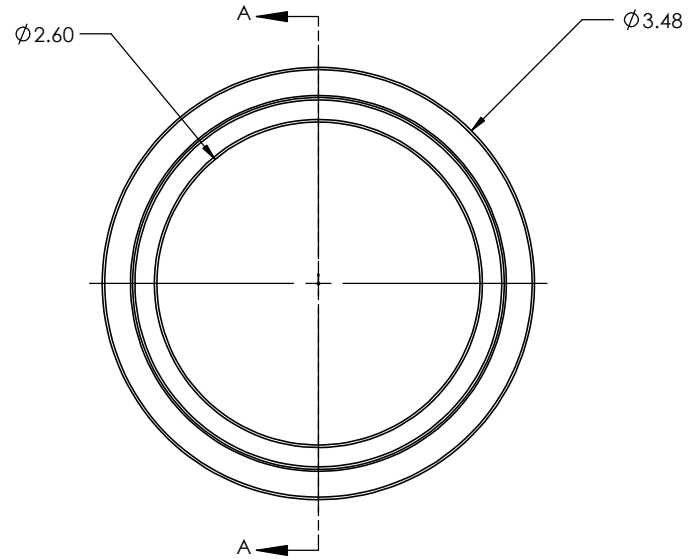


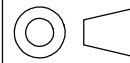
PN 5945  
STK NO. 17846



SECTION A-A



THIRD ANGLE PROJECTION



UNLESS OTHERWISE SPECIFIED: DIMENSIONS ARE IN INCHES TWO PLACE DECIMAL $\pm .007$ THREE PLACE DECIMAL $\pm .003$	DRAWN	NAME	DATE	<b>Optec Inc.</b> TITLE: 3-INCH DOVETAIL TO M82X1mm	
	CHECKED	LD	2/5/18		
	ENG APPR.				
	MFG APPR.				
MATERIAL	6061-T6	CONTRACT		SIZE	
FINISH	SEE NOTES	3-INCH ADAPTERS		<b>B</b>	DWG. NO. 19-06708
DO NOT SCALE DRAWING				SCALE: 1:1	WEIGHT:
					SHEET 1 OF 1