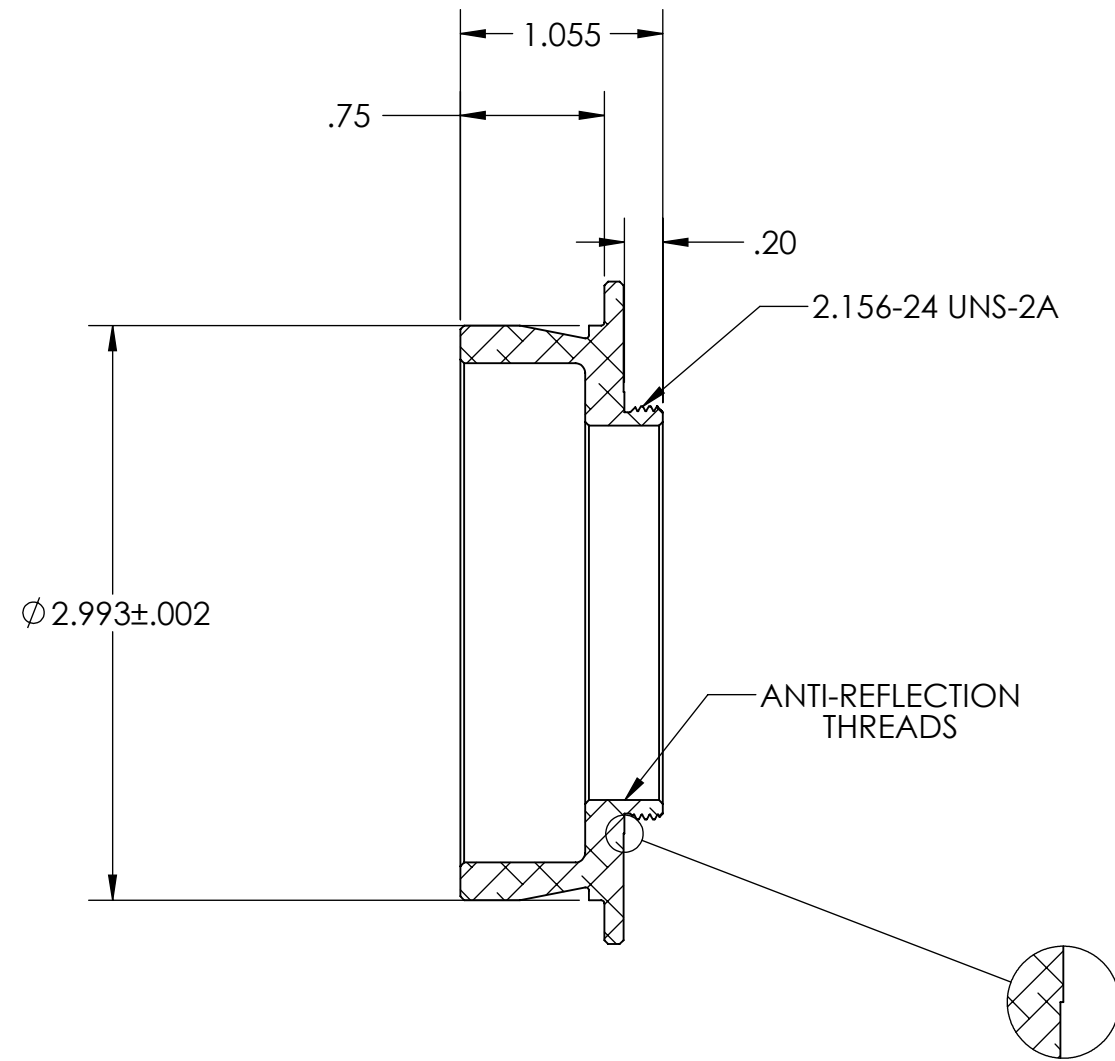
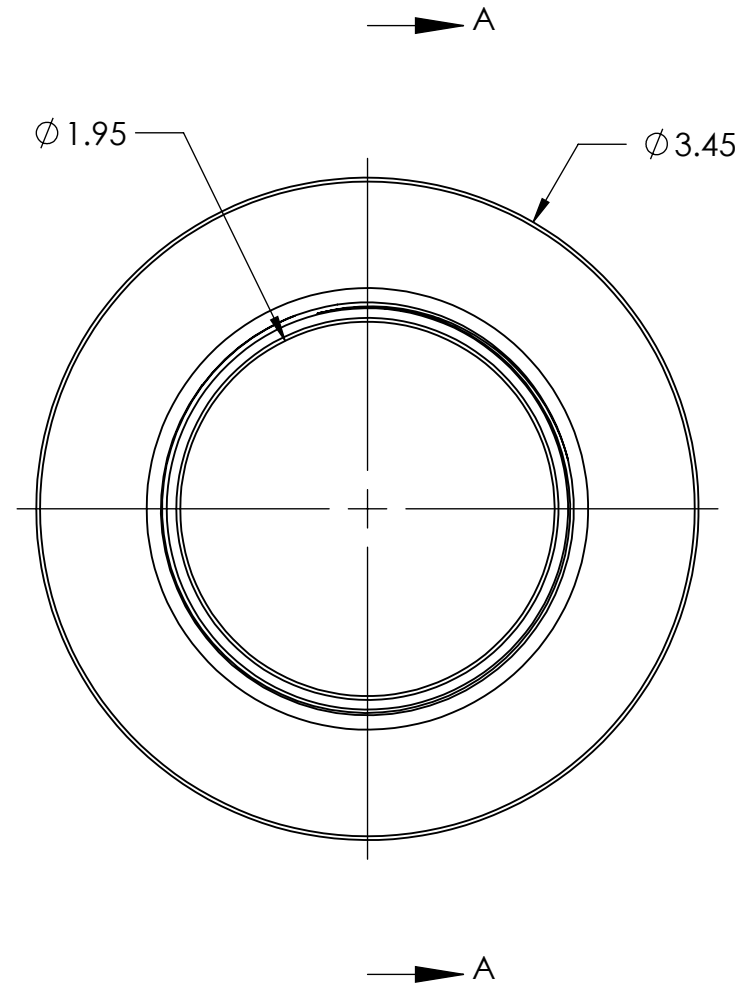


STK. NO. 17843



SECTION A-A



UNLESS OTHERWISE SPECIFIED: DIMENSIONS ARE IN INCHES TOLERANCES: FRACTIONAL ± ANGULAR: MACH ± BEND ± TWO PLACE DECIMAL ±.007 THREE PLACE DECIMAL ±.003	DRAWN	NAME	DATE	Optec, Inc. TITLE: OPTEC 3000 TO 2.156-24
	CHECKED	LD	09/23/13	
	ENG APPR.			
	MFG APPR.			
	Q.A.			
MATERIAL	CONTRACT			SIZE DWG. NO. B 19-06705
FINISH	3-INCH ADAPTERS			
DO NOT SCALE DRAWING		SCALE: 1:1	WEIGHT:	SHEET 1 OF 1

