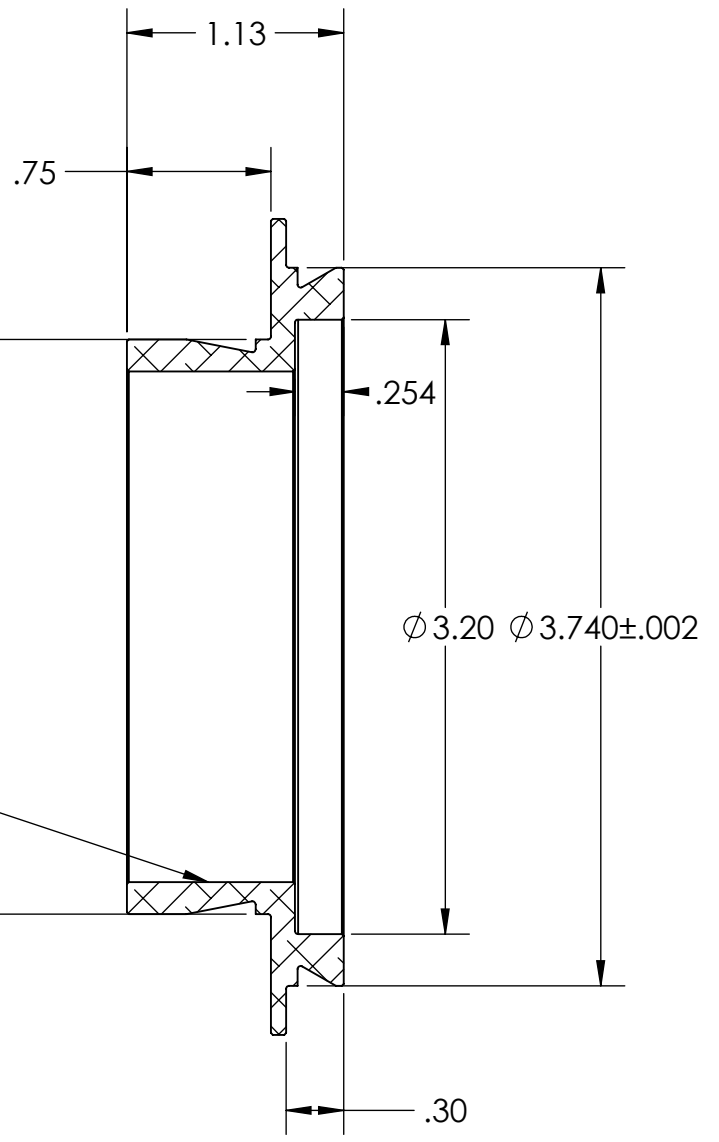
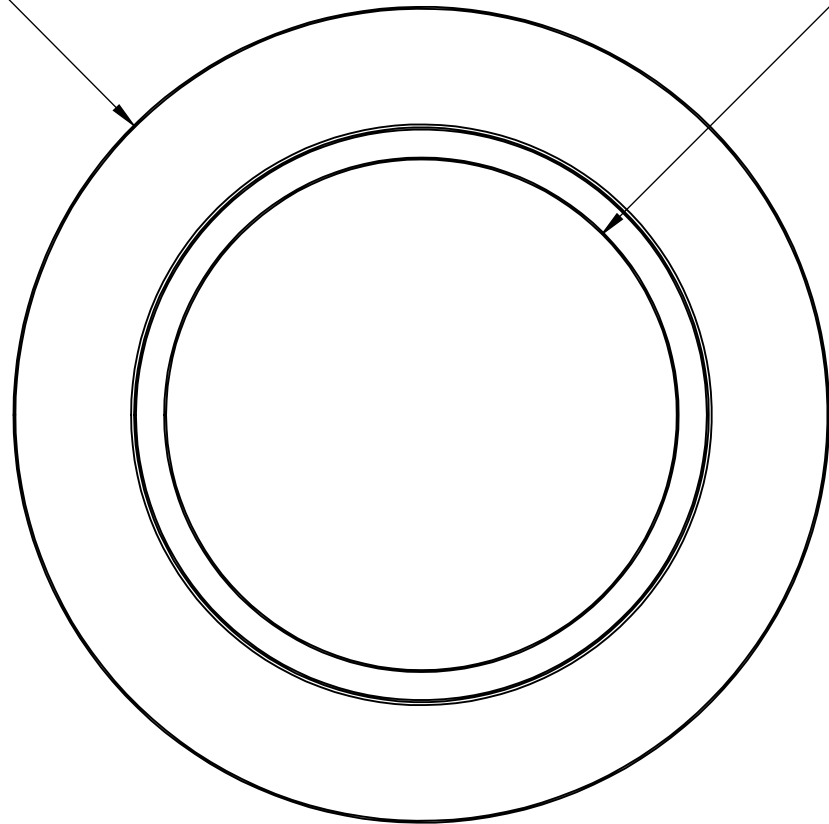


PN 5534
 STK NO 17839

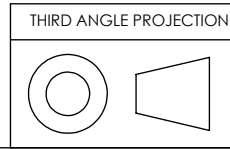
Ø 4.25

Ø 2.66



ANTI-REFLECTION THREAD

SECTION A-A



| | | | | |
|---|-----------------|------|----------|--|
| UNLESS OTHERWISE SPECIFIED: DIMENSIONS ARE IN INCHES TWO PLACE DECIMAL ±.007 THREE PLACE DECIMAL ±.003 MATERIAL: 6061-T6 STOCK SIZE: 0.00 X 0.00 X .00 FINISH: SEE NOTES DO NOT SCALE DRAWING | DRAWN | NAME | DATE | Optec Inc. TITLE: 3-INCH TO FLI ATLAS |
| | CHECKED | LD | 12/19/11 | |
| | ENG APPR. | | | |
| | MFG APPR. | | | |
| | Q.A. | | | SIZE |
| | CONTRACT | | | DWG. NO. |
| | 3-INCH ADAPTERS | | | B |
| | | | | 19-06701 |
| | | | | SCALE: 1:1 |
| | | | | WEIGHT: |
| | | | | SHEET 1 OF 1 |