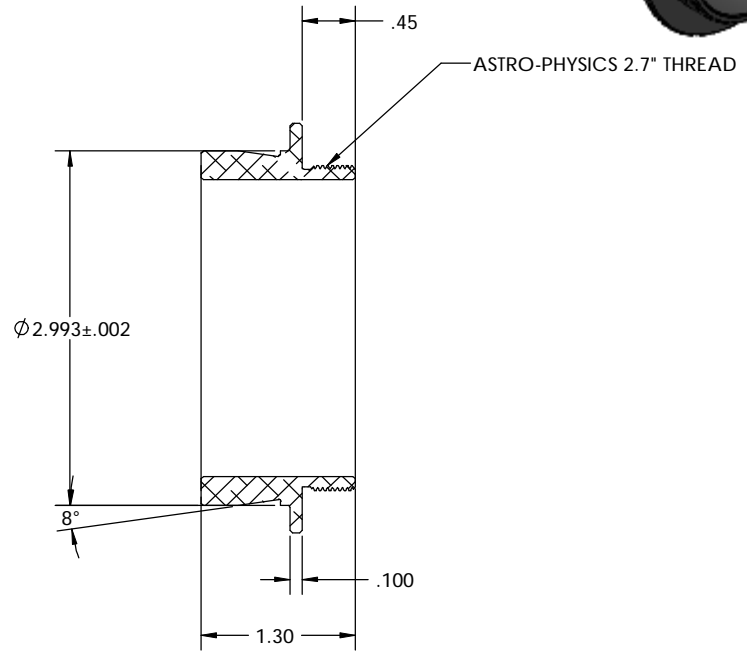
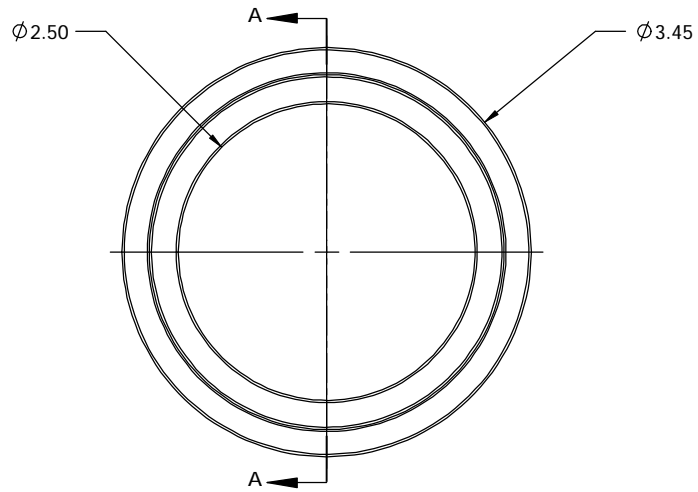


PN 4999
STK NO 17838



UNLESS OTHERWISE SPECIFIED: DIMENSIONS ARE IN INCHES TOLERANCES: FRACTIONAL ± ANGULAR: MACH ± BEND ± TWO PLACE DECIMAL ±.007 THREE PLACE DECIMAL ±.003	DRAWN	NAME	DATE	Optec Inc.
	CHECKED	LD	05/10/09	
	ENG APPR.			
	MFG APPR.			
	G.A.			TITLE: 3" TO AP MALE 2.7" THRD
THIRD ANGLE PROJECTION	MATERIAL 6061-T6	CONTRACT		SIZE DWG. NO.
	FINISH FROSTKOTE BRIGHT DIP BLACK	3-INCH ADAPTERS		B 17-06700
DO NOT SCALE DRAWING				SCALE: 1:1 WEIGHT: SHEET 1 OF 1