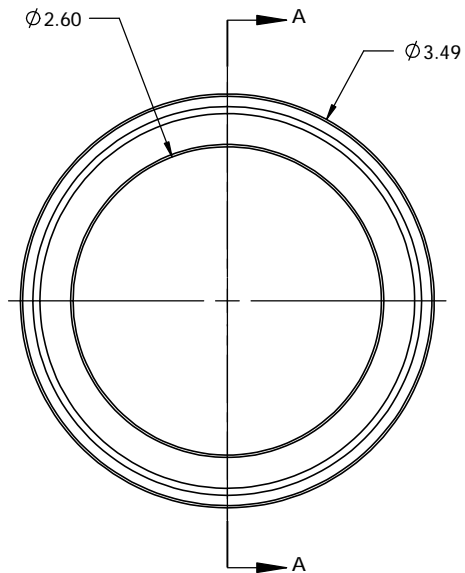
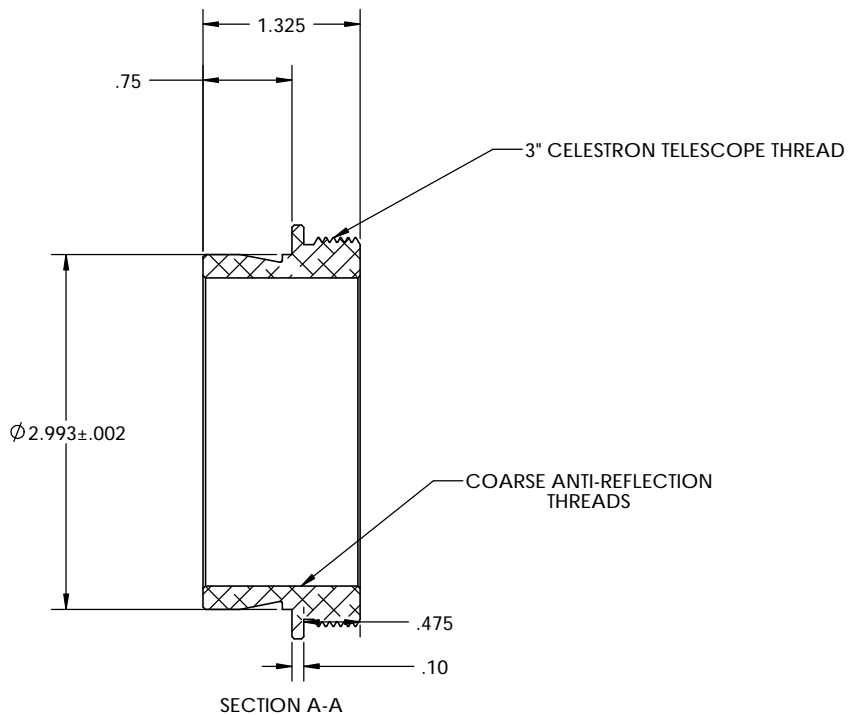


PN 4510  
 STK. NO. 17837



UNLESS OTHERWISE SPECIFIED:		DRAWN	NAME	DATE	<b>Optec, Inc.</b>			
DIMENSIONS ARE IN INCHES		CHECKED	LD	07/03/09				
TOLERANCES:		ENG APPR.						
FRACTIONAL $\pm$		MFG APPR.						
ANGULAR: MACH $\pm$ BEND $\pm$		Q.A.			TITLE:			
TWO PLACE DECIMAL $\pm .007$		CONTRACT			3" TO CELESTRON 3" THRD			
THREE PLACE DECIMAL $\pm .003$						3-INCH ADPTERS		
DO NOT SCALE DRAWING								
THIRD ANGLE PROJECTION		MATERIAL		SIZE				
		6061-T6		DWG. NO.				
		FINISH: SATIN ETCH BLACK		<b>B</b>				
				<b>17-06696</b>				
				SCALE: 1:1	WEIGHT:			
				SHEET 1 OF 1				