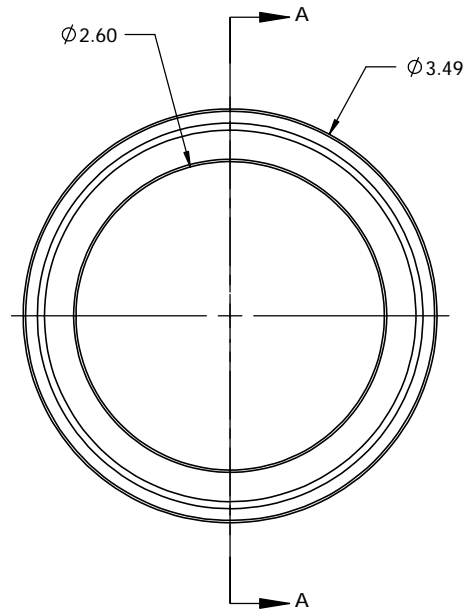
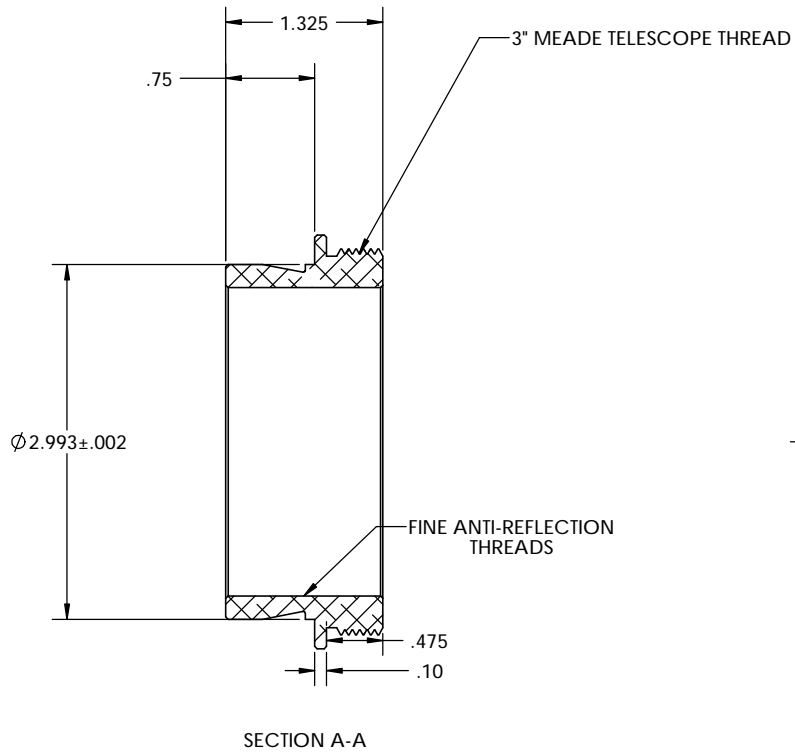


PN 4519  
STK. NO. 17836



UNLESS OTHERWISE SPECIFIED:		DRAWN	NAME	DATE	<b>Optec, Inc.</b>	
		CHECKED	LD	07/03/09		
DIMENSIONS ARE IN INCHES		ENG APPR.			TITLE: <b>3" TO MEADE 3" SCT</b>	
TOLERANCES:		MFG APPR.				
FRACTIONAL ±		Q.A.				
ANGULAR: MACH ± BEND ±		CONTRACT		SIZE		DWG. NO.
TWO PLACE DECIMAL ±.007		3-INCH ADAPTERS		<b>B</b>		<b>17-06695</b>
THREE PLACE DECIMAL ±.003		DO NOT SCALE DRAWING		SCALE: 1:1		WEIGHT:
THIRD ANGLE PROJECTION						SHEET 1 OF 1