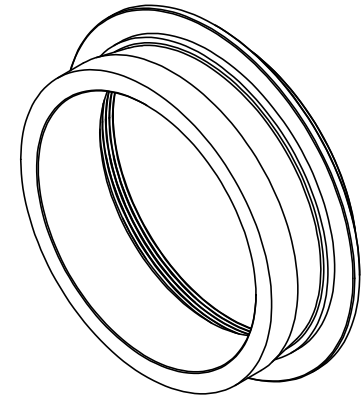
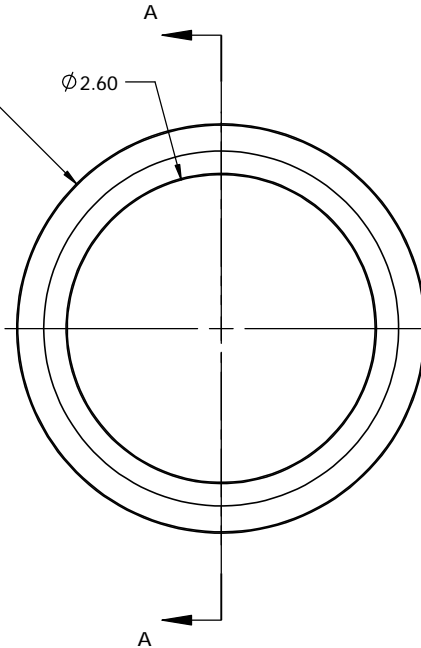
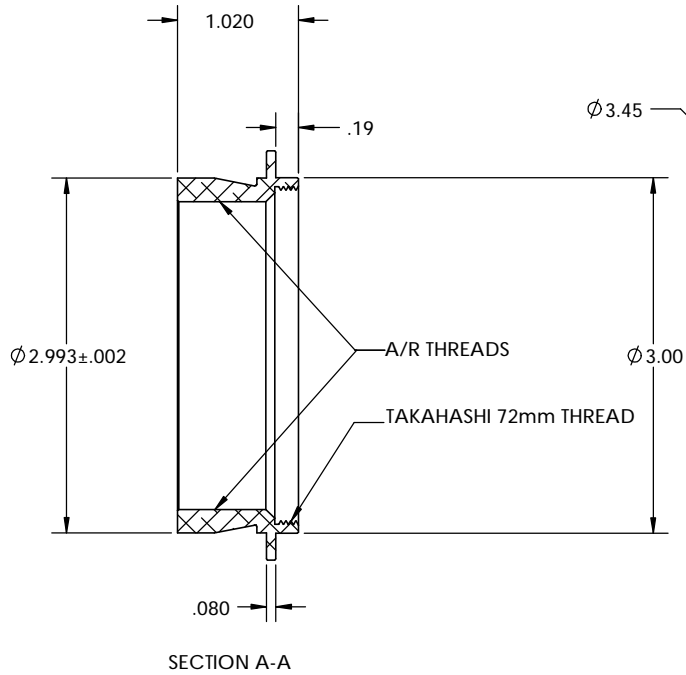
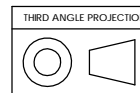


PN 4908
 STK. NO. 17834



UNLESS OTHERWISE SPECIFIED: DIMENSIONS ARE IN INCHES TOLERANCES: FRACTIONAL ± ANGULAR: MACH ± BEND ± TWO PLACE DECIMAL ±.007 THREE PLACE DECIMAL ±.003	DRAWN	NAME	DATE	Optec, Inc.	
	CHECKED	LD	04/30/09		
	ENG APPR.				
	MFG APPR.				
				TITLE:	
				3" TO TAKAHASHI 72mm	
				SIZE	
				DWG. NO.	
				B	17-06694
				SCALE: 1:1	WEIGHT:
					SHEET 1 OF 1



MATERIAL
6061-T6
 FINISH: SATIN ETCH BLACK ANODIZE
 DO NOT SCALE DRAWING

CONTRACT
3-INCH ADAPTERS