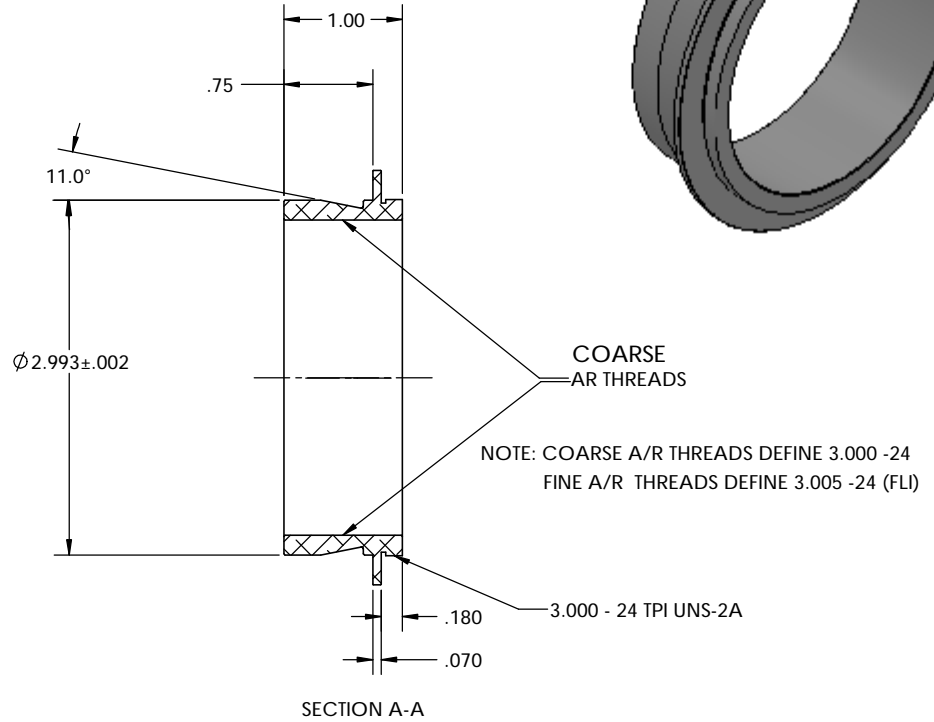
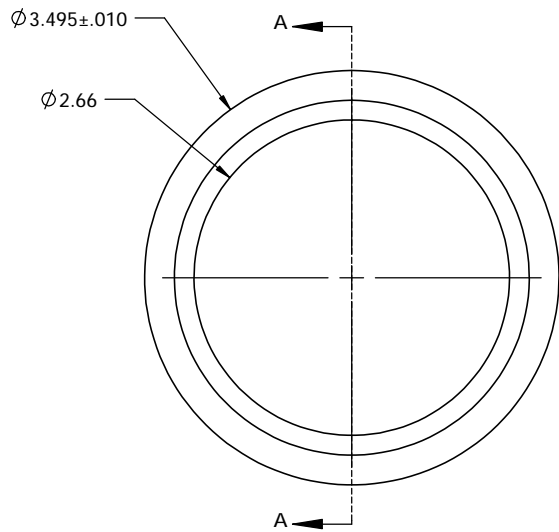


PN 4846
STK NO 17832



UNLESS OTHERWISE SPECIFIED:		NAME	DATE	Optec Inc.	
DIMENSIONS ARE IN INCHES		DRAWN	LD		
TOLERANCES:		CHECKED			TITLE:
ANGULAR: ±1		ENG APPR.			3" TO STD 3"X24TPI
TWO PLACE DECIMAL ±.007		MFG APPR.			
THREE PLACE DECIMAL ±.003		Q.A.			SIZE
MATERIAL		Contract			DWG. NO.
6061-T6		3-INCH ADAPTERS			B
FINISH					REV
Satin Etch Black					1.0
DO NOT SCALE DRAWING					SCALE: 1:1
					WEIGHT:
					SHEET 1 OF 1

