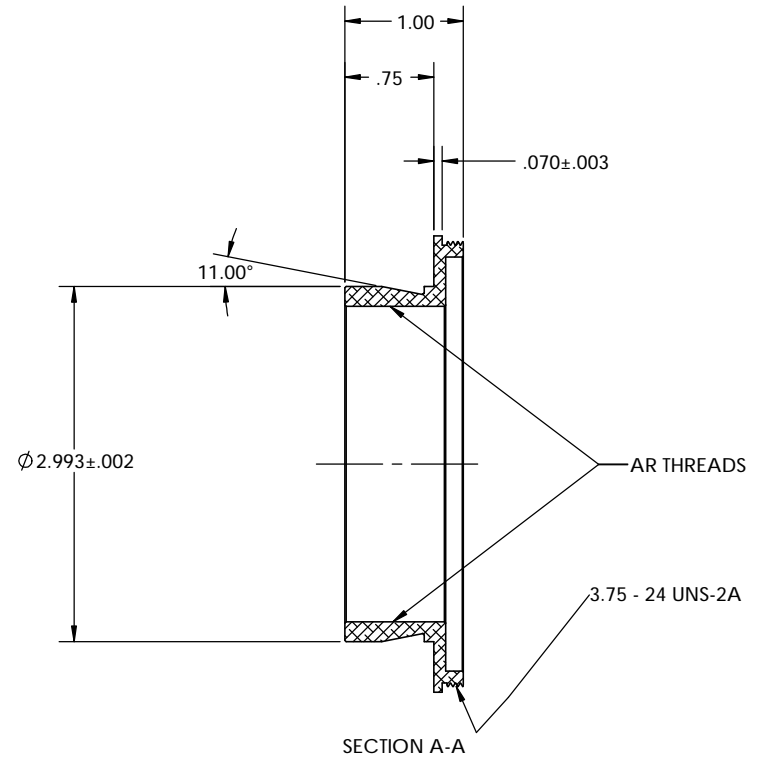
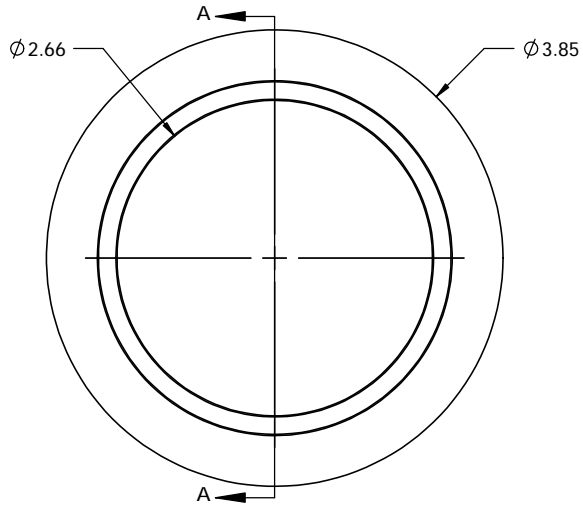


PN 4845  
Stk No 17831



UNLESS OTHERWISE SPECIFIED:		NAME	DATE	<b>Optec Inc</b>		
DIMENSIONS ARE IN INCHES		DRAWN	ELD			01/16/09
TOLERANCES:		CHECKED				
FRACTIONAL $\pm .015$		ENG APPR.				
ANGULAR: MACH $\pm .5$		MFG APPR.			TITLE:  <b>Pyxis 3 to PDF 3.75"</b>	
TWO PLACE DECIMAL $\pm .007$		Q.A.				
THREE PLACE DECIMAL $\pm .003$		CONTRACT			SIZE	
INTERPRET GEOMETRIC TOLERANCING PER:		3-Inch Adapters				
MATERIAL		6061-T6511			DWG. NO.	
FINISH		Bright Dip FrostKote Black			17-06684	
DO NOT SCALE DRAWING					REV	
					1.0	
					SCALE: 1:1	
					WEIGHT:	
					SHEET 1 OF 1	