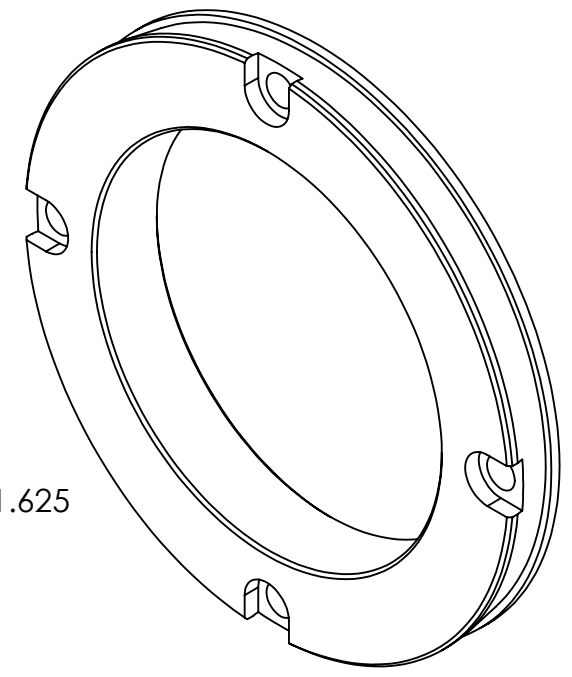
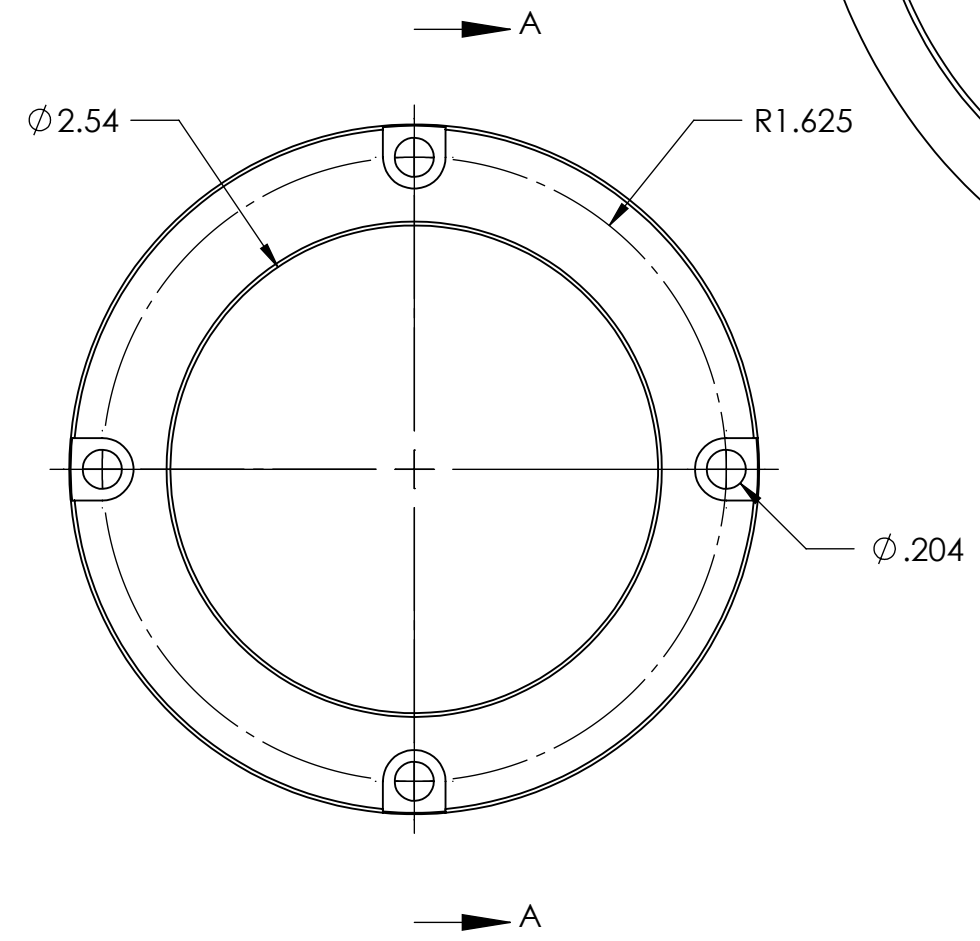
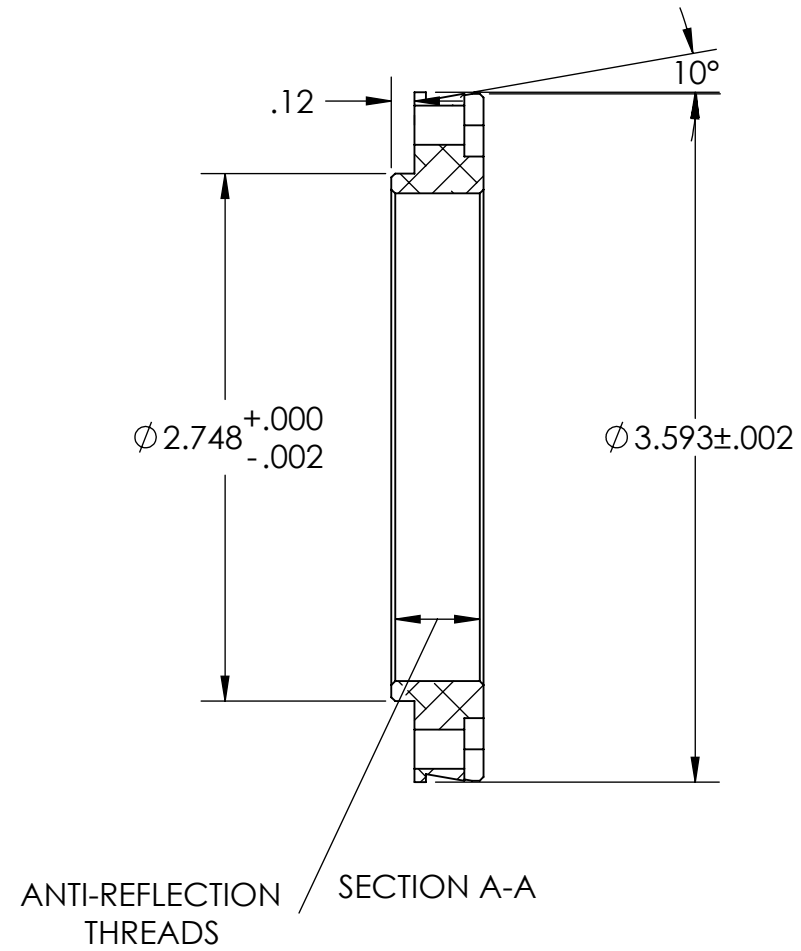


PN 4965
 STK. NO. 17827



UNLESS OTHERWISE SPECIFIED: DIMENSIONS ARE IN INCHES TOLERANCES: FRACTIONAL \pm ANGULAR: MACH \pm BEND \pm TWO PLACE DECIMAL $\pm .007$ THREE PLACE DECIMAL $\pm .003$	DRAWN	NAME	DATE	Optec, Inc. TITLE: LOWPRO PW FOCUSER TO OPTEC 3600
	CHECKED	LD	07/27/09	
	ENG APPR.			
	MFG APPR.			
	Q.A.			
THIRD ANGLE PROJECTION 	MATERIAL	CONTRACT		SIZE
	6061-T6	OPTEC 3600		DWG. NO.
	FINISH SATIN ETCH BLACK			B 17-06697
	DO NOT SCALE DRAWING			SCALE: 1:1
				WEIGHT:
				SHEET 1 OF 1