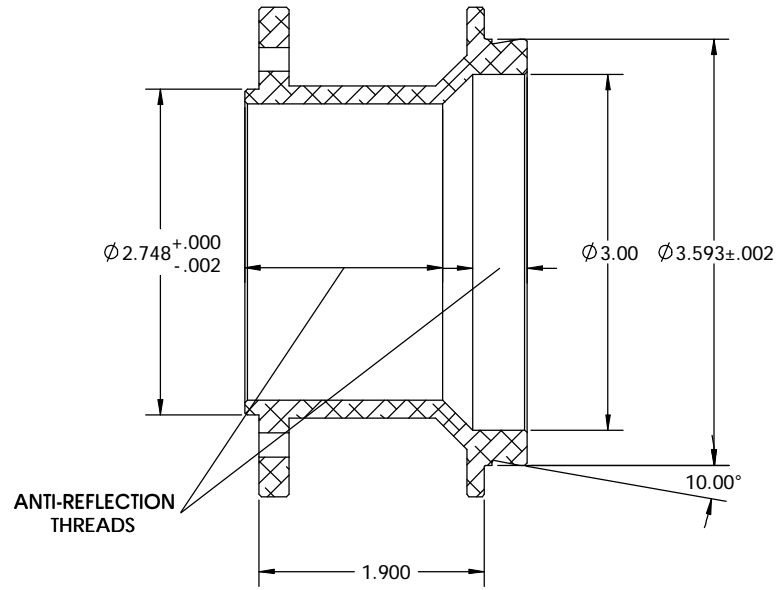
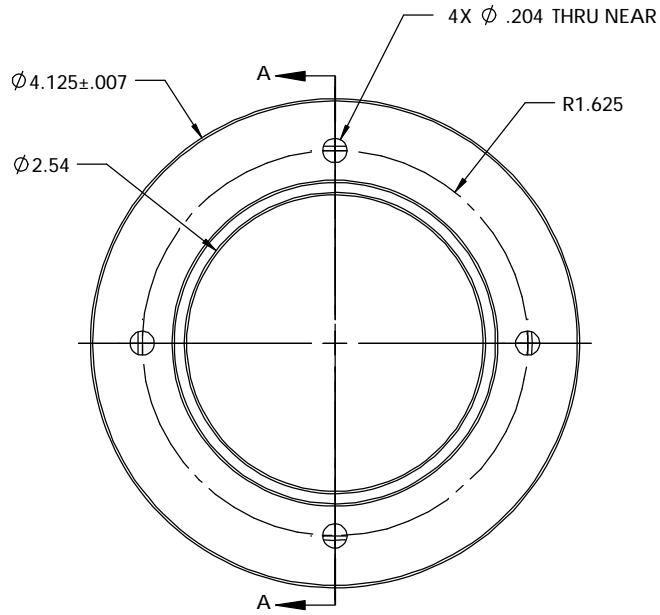
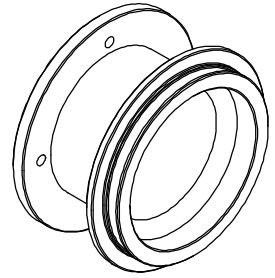


PN 4933
 STK. NO. 17826



UNLESS OTHERWISE SPECIFIED:		DRAWN	NAME	DATE	Optec			
DIMENSIONS ARE IN INCHES		CHECKED	LD	06/11/09				
TOLERANCES:		ENG APPR.						
FRACTIONAL \pm		MFG APPR.						
ANGULAR: MACH \pm BEND \pm		G.A.			TITLE:			
TWO PLACE DECIMAL \pm .007		CONTRACT			PLANEWAVE SECURE FIT TO OPTEC 3600			
THREE PLACE DECIMAL \pm .003						OPTEC-3600		
DO NOT SCALE DRAWING								
THIRD ANGLE PROJECTION		SCALE: 1:1			WEIGHT:			
MATERIAL		SHEET 1 OF 1						
6061-T6								
FINISH								
FROSTKOTE BRIGHT								
DIP BLACK								

