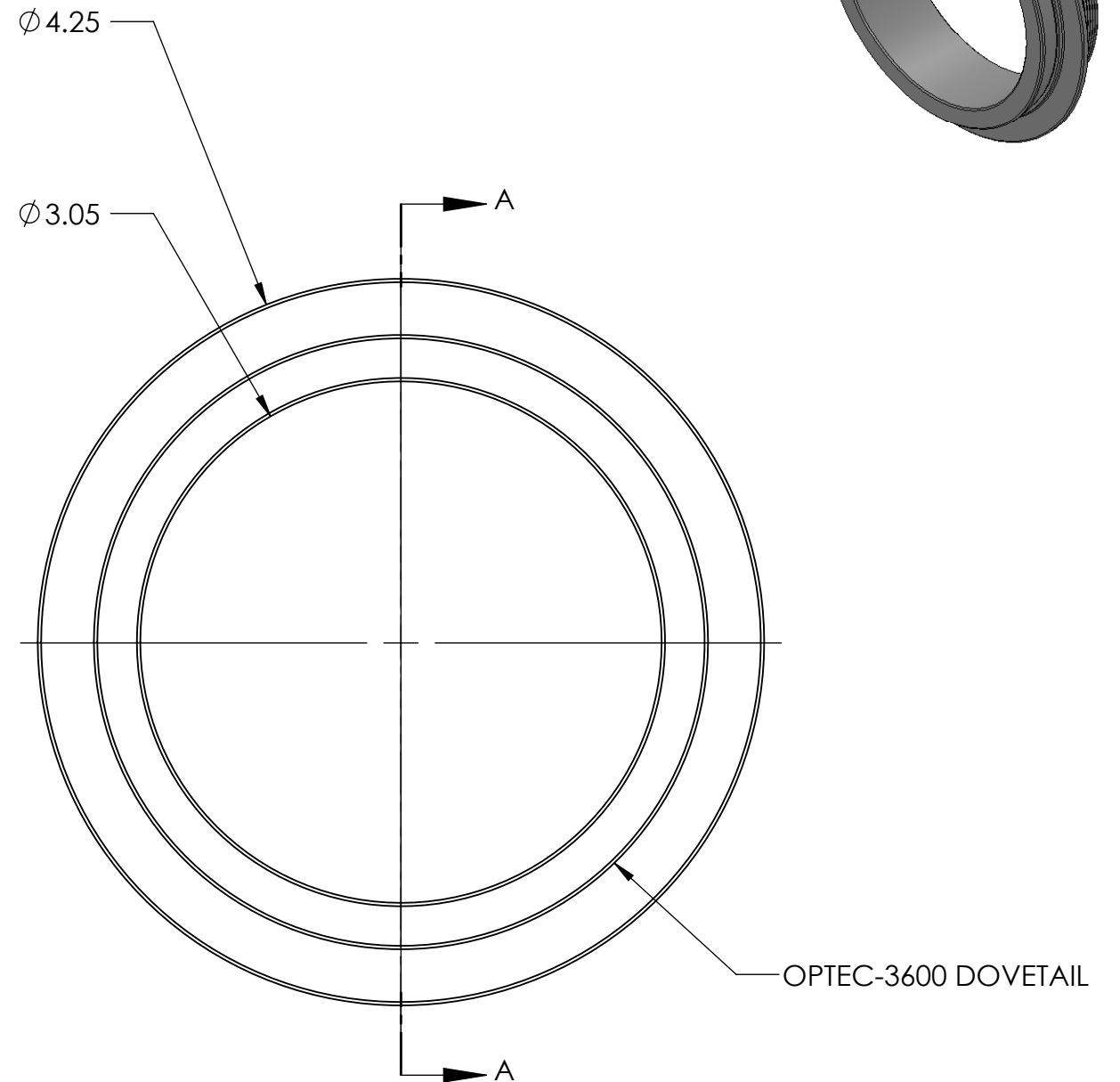
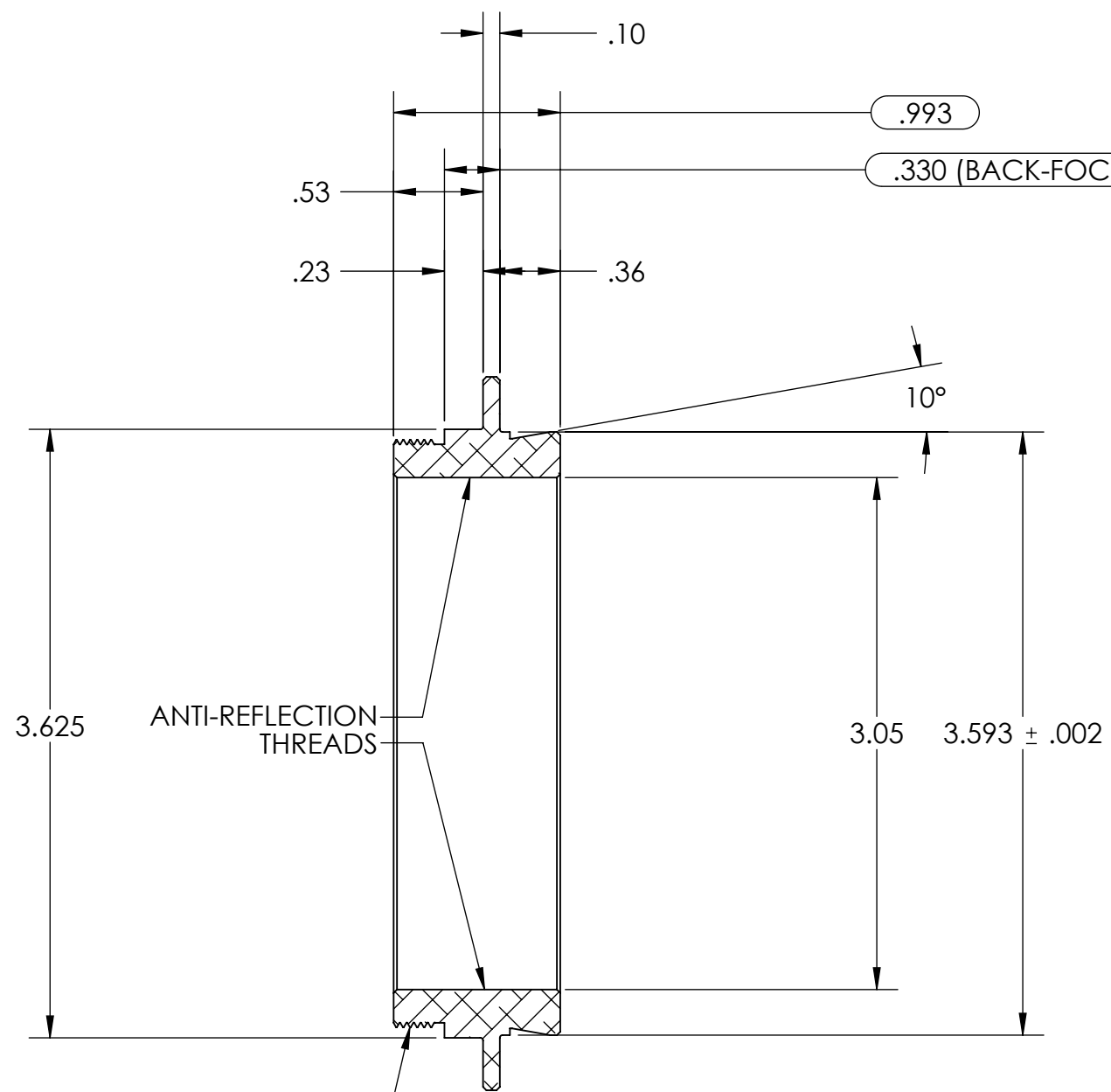
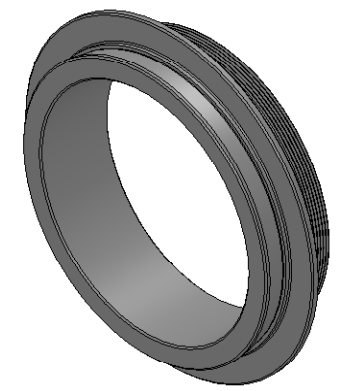
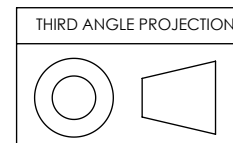


PN 4904  
STK. NO. 17825



TAKAHASHI 89MM THREAD

NOTE: BREAK ALL EDGES



UNLESS OTHERWISE SPECIFIED: DIMENSIONS ARE IN INCHES TOLERANCES: FRACTIONAL ± ANGULAR: MACH ± BEND ± TWO PLACE DECIMAL ±.007 THREE PLACE DECIMAL ±.003	DRAWN	NAME	DATE	<b>Optec</b>
	CHECKED	JD	04/07/09	
	ENG APPR.			
	MFG APPR.			
MATERIAL	6061-T6	CONTRACT		TITLE: TAKAHASHI 89MM MOUNT
FINISH	FROSTKOTE BRIGHT DIP BLACK	OPTEC-3600		
DO NOT SCALE DRAWING		SIZE	DWG. NO.	
		<b>B</b>	<b>17-06690</b>	
		SCALE: 1:1	WEIGHT:	SHEET 1 OF 1