

PN 4903
STK. NO. 17824

D

C

B

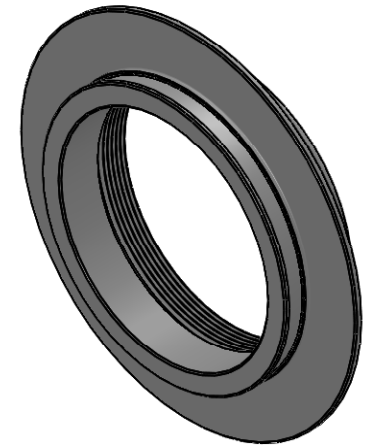
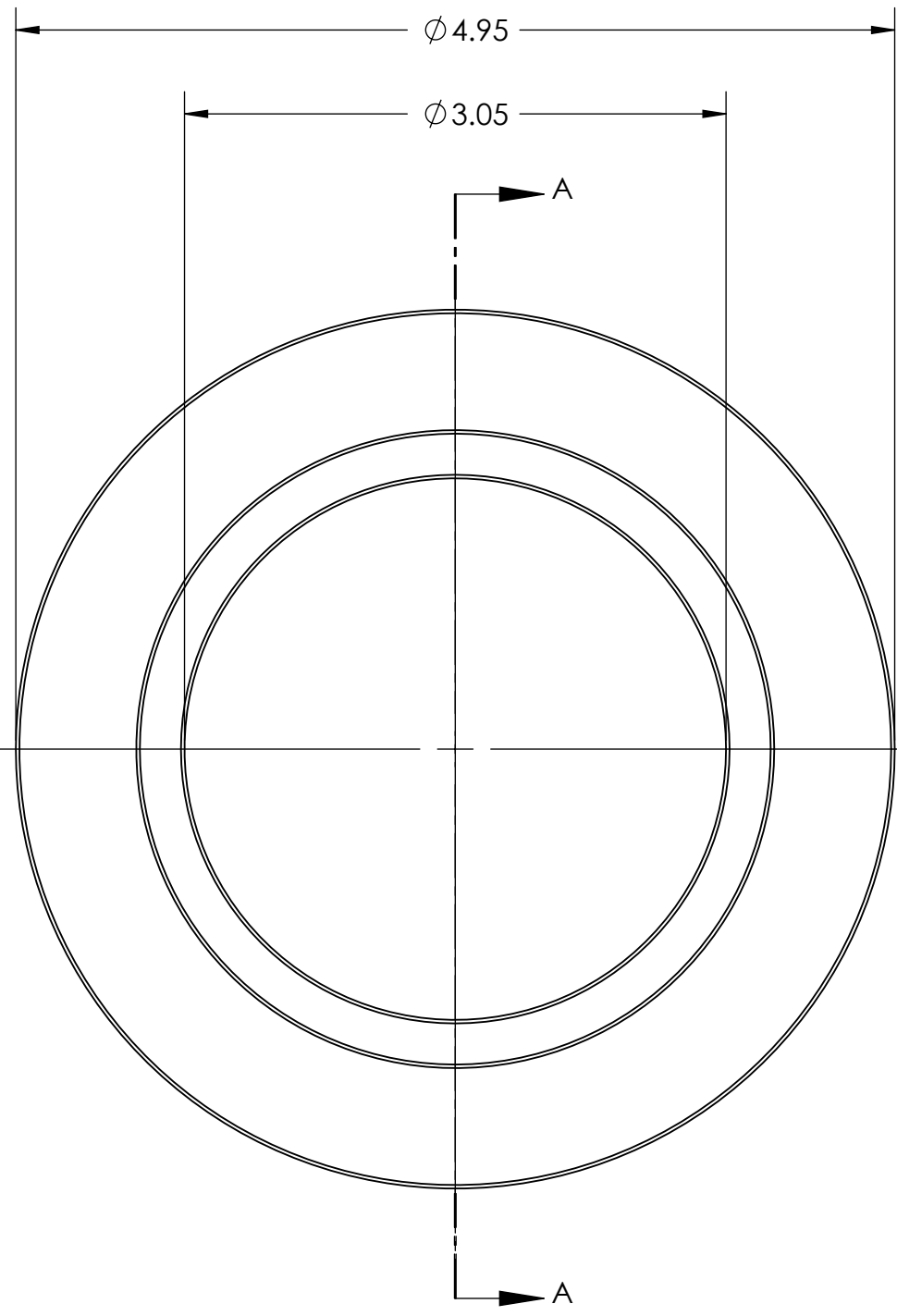
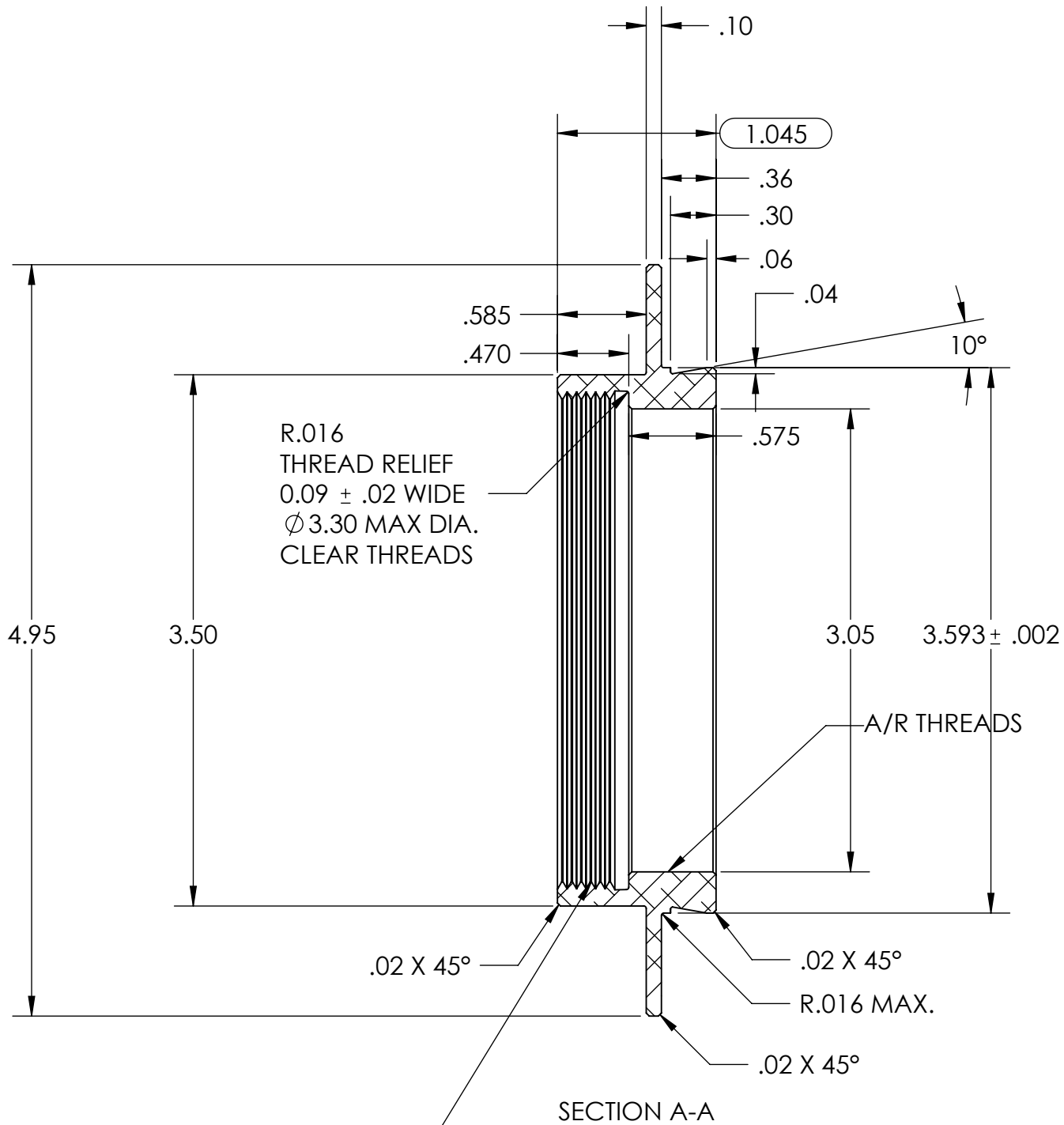
A

D

C

B

A



3" MEADE TELESCOPE THREAD
3IN_THRD.DWG
TPI: 16, PITCH: 0.0625
 $\phi 3.195$ MINOR DIA. BEFORE THREADS
DEPTH OF THREAD: 0.0375

SECTION A-A

UNLESS OTHERWISE SPECIFIED: DIMENSIONS ARE IN INCHES TOLERANCES: FRACTIONAL ± ANGULAR: MACH ± BEND ± TWO PLACE DECIMAL ±.007 THREE PLACE DECIMAL ±.003	DRAWN	NAME	DATE	Optec, Inc.
	CHECKED	JD	4/05/09	
	ENG APPR.			
	MFG APPR.			
MATERIAL	6061-T6	CONTRACT		TITLE: MEADE RCX 3" MOUNT
FINISH	FROSTKOTE BRIGHT DIP BLACK	OPTEC-3600		
DO NOT SCALE DRAWING		SIZE	DWG. NO.	
		B	17-06659	
		SCALE: 1:1	WEIGHT:	SHEET 1 OF 1

