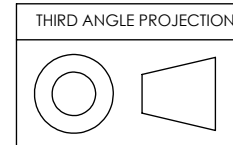
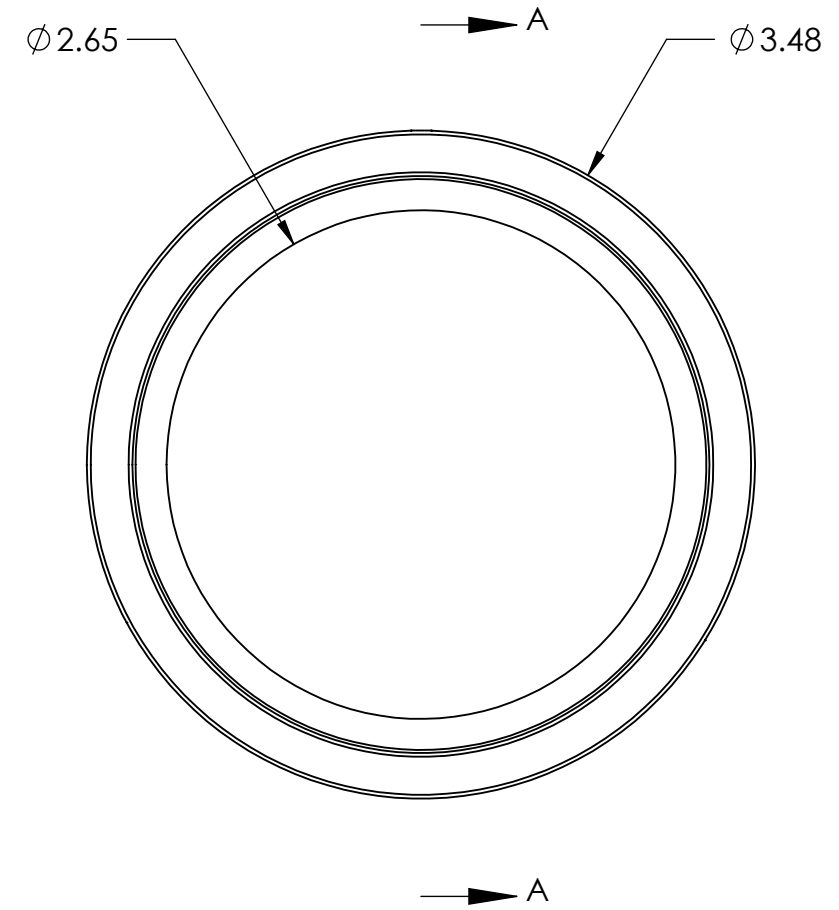
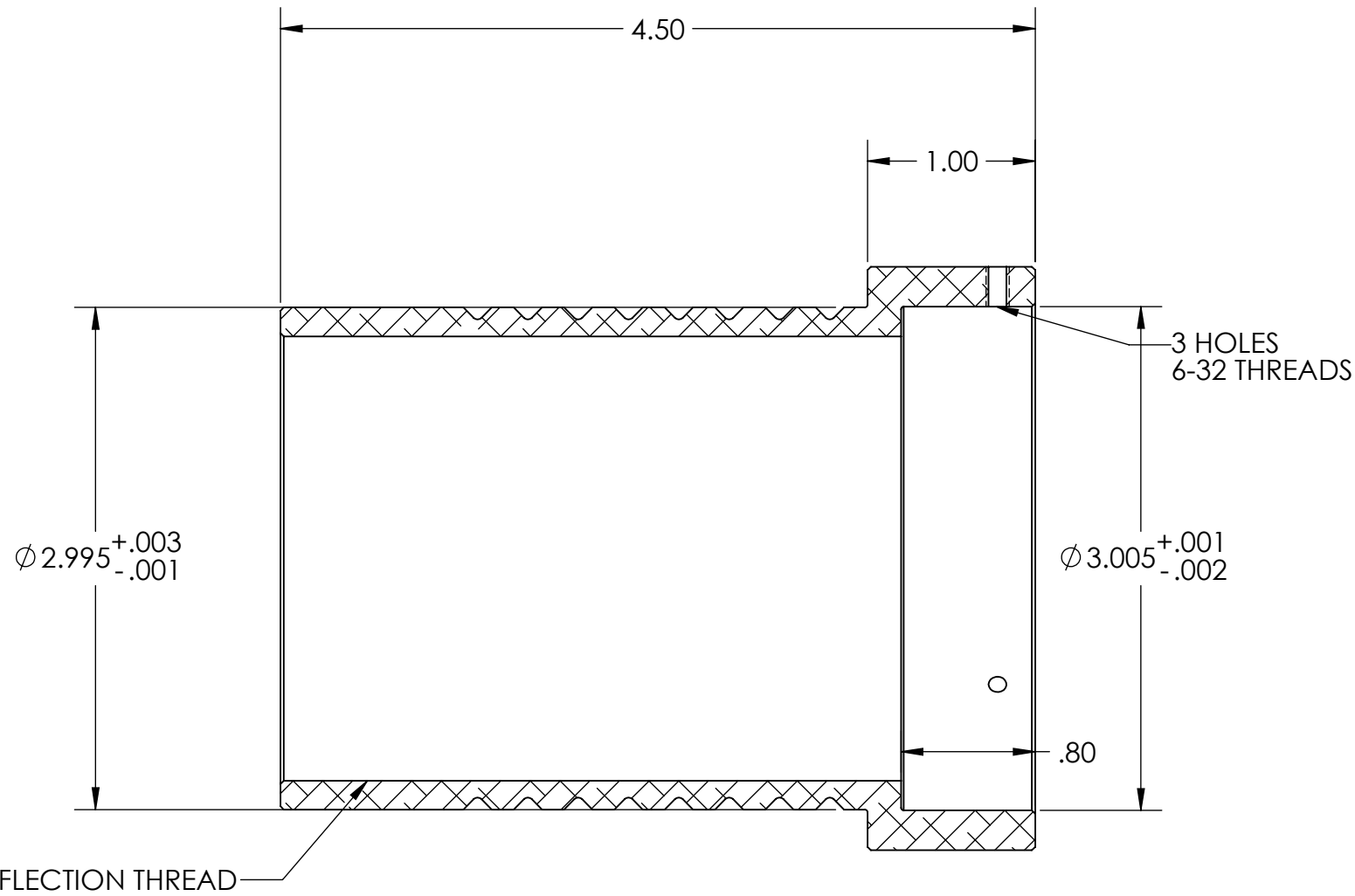


PN 4570
STK NO 17816



UNLESS OTHERWISE SPECIFIED: DIMENSIONS ARE IN INCHES TWO PLACE DECIMAL $\pm .007$ THREE PLACE DECIMAL $\pm .003$	DRAWN	NAME	DATE	Optec Inc.
	CHECKED	LD	9/22/14	
	ENG APPR.			
	MFG APPR.			
MATERIAL	CONTRACT			TITLE: 3-INCH EXTENDER
6061-T6	3-INC ADAPTERS			
FINISH	SEE NOTES	SIZE	DWG. NO.	SHEET 1 OF 1
DO NOT SCALE DRAWING		B	17-06672	
		SCALE: 1:1	WEIGHT:	