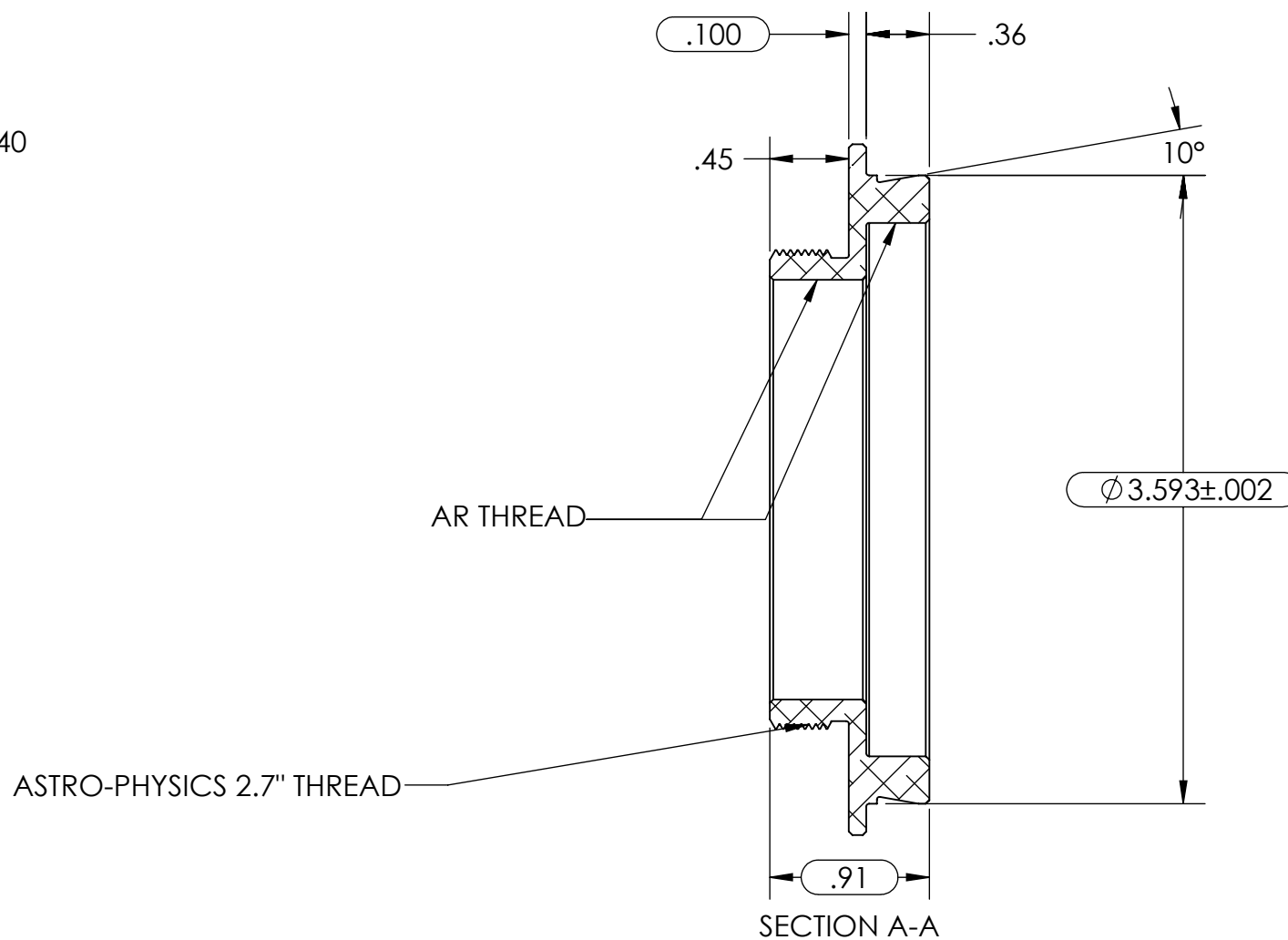
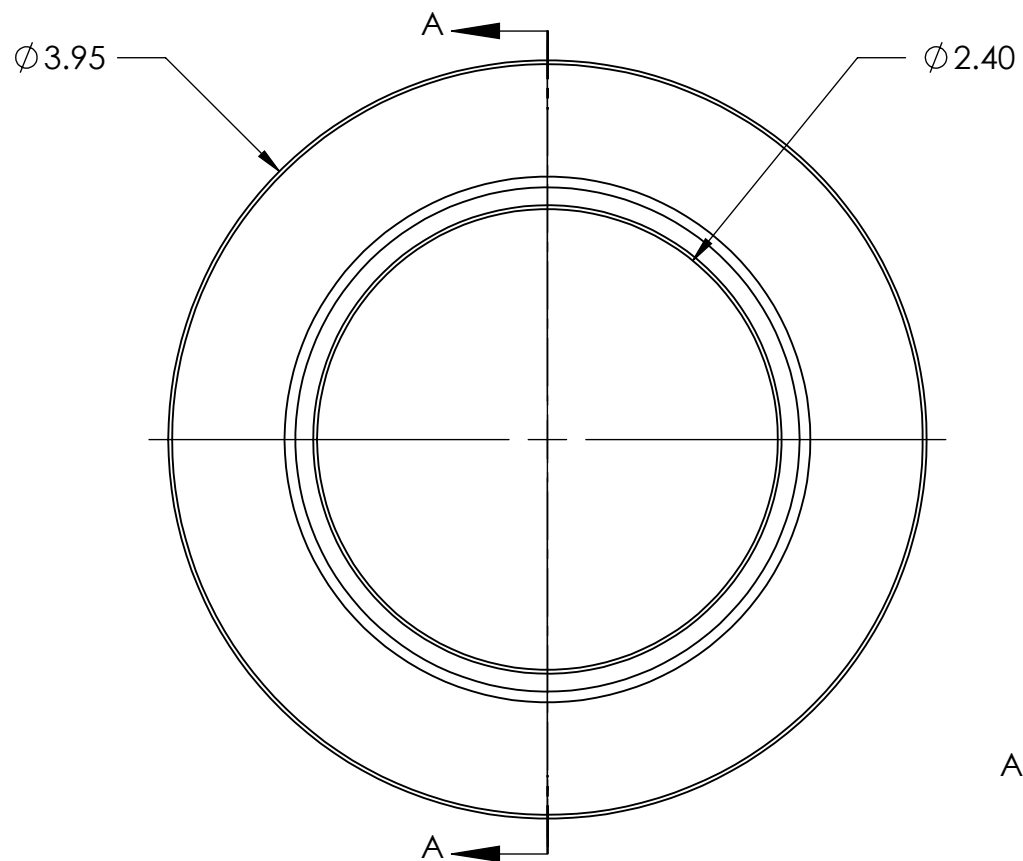
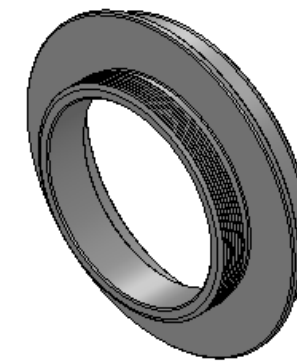


PN 4541  
STK NO 17808



UNLESS OTHERWISE SPECIFIED:		NAME	DATE	<b>Optec Inc.</b>		
DIMENSIONS ARE IN INCHES		DRAWN	LD			03/13/09
TOLERANCES:		CHECKED		TITLE:		
ANGULAR: $\pm 1$		ENG APPR.		ASTROPHYSICS 2.7" TO OPTEC 3600		
TWO PLACE DECIMAL $\pm .007$		MFG APPR.				
THREE PLACE DECIMAL $\pm .003$		Q.A.		SIZE	DWG. NO.	REV
MATERIAL		Contract		<b>B</b>	<b>17-06665</b>	<b>B</b>
6061-T6		OPTEC-3600		SCALE: 1:1	WEIGHT:	SHEET 1 OF 1
FINISH						
SATIN ETCH BLACK						
DO NOT SCALE DRAWING						

