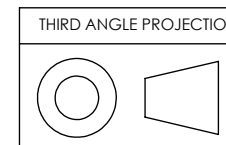
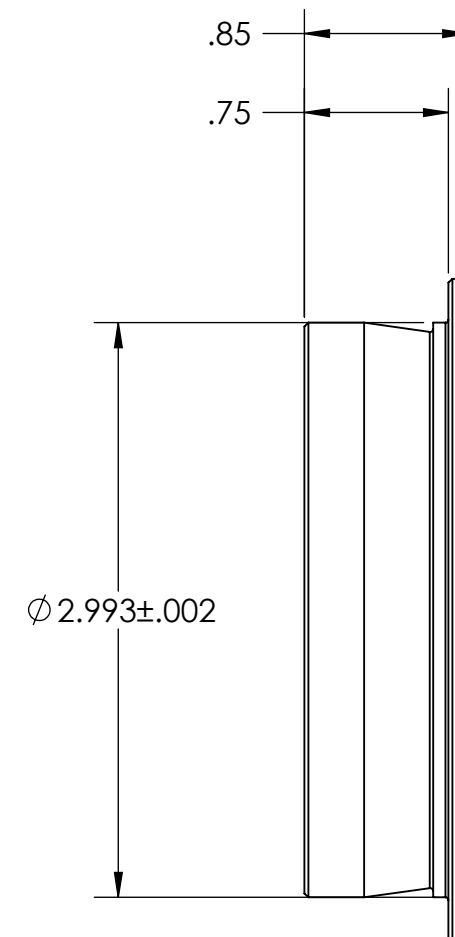
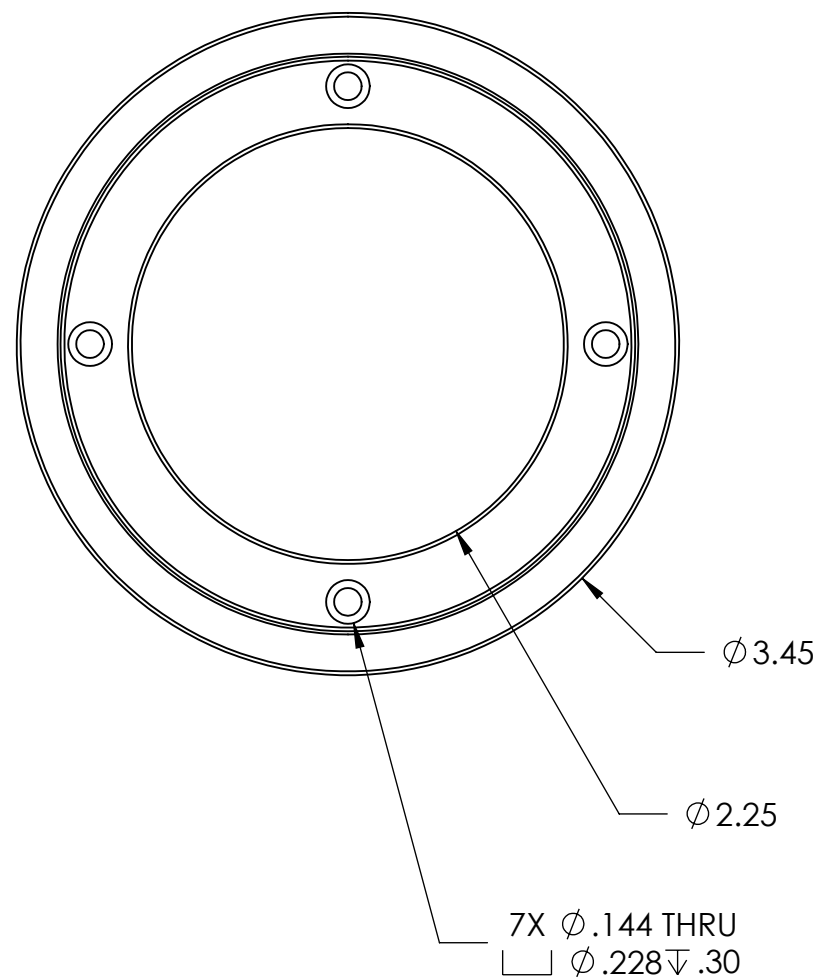


STK. NO. 17806



UNLESS OTHERWISE SPECIFIED: DIMENSIONS ARE IN INCHES TOLERANCES: FRACTIONAL \pm ANGULAR: MACH \pm BEND \pm TWO PLACE DECIMAL $\pm .007$ THREE PLACE DECIMAL $\pm .003$	DRAWN	LD	DATE	07/27/09		Optec, Inc.	
	CHECKED						
	ENG APPR.					3" TO STL ADAPTER - MOD	
	MFG APPR.					SIZE	
					DWG. NO.		B 17-06668_MOD
					SCALE: 1:1		
					WEIGHT:		SHEET 1 OF 1

MATERIAL	6061-T6
FINISH	FROSTKOTE BRIGHT DIP BLACK
DO NOT SCALE DRAWING	

CONTRACT
3-INCH ADAPTERS

SIZE	DWG. NO.
SCALE: 1:1	WEIGHT:
SHEET 1 OF 1	