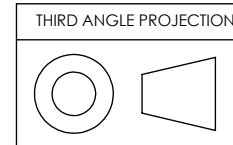
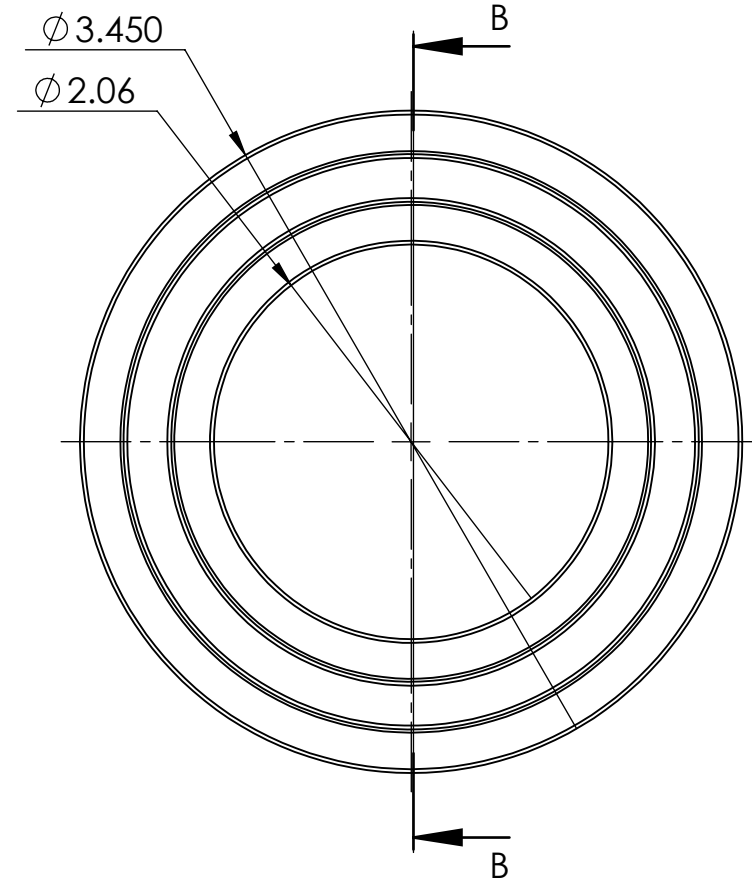
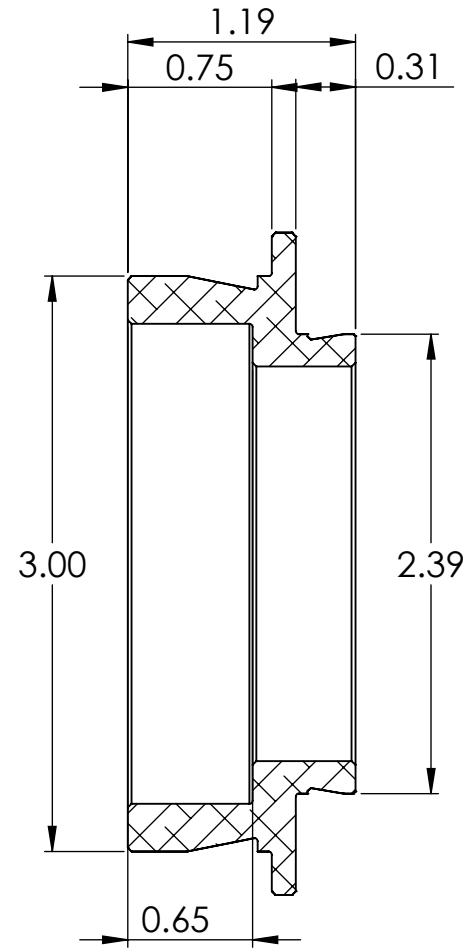


STK. NO. 17805



UNLESS OTHERWISE SPECIFIED: DIMENSIONS ARE IN INCHES TWO PLACE DECIMAL ±.007 THREE PLACE DECIMAL ±.003	DRAWN	BC	03/07/2017	<b>Optec Inc.</b>	
	CHECKED				TITLE: 3 IN. TO OTPEC 2400 M.D.
	ENG APPR.				
	MFG APPR.				
MATERIAL <b>6061-T6</b>	CONTRACT <b>OPTEC-3000</b>			SIZE <b>B</b>	
FINISH SEE NOTES				DWG. NO. <b>17-06664</b>	
DO NOT SCALE DRAWING				SCALE: 1:2	
			WEIGHT:	SHEET 1 OF 1	