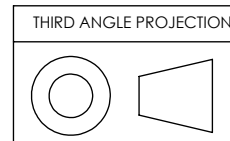
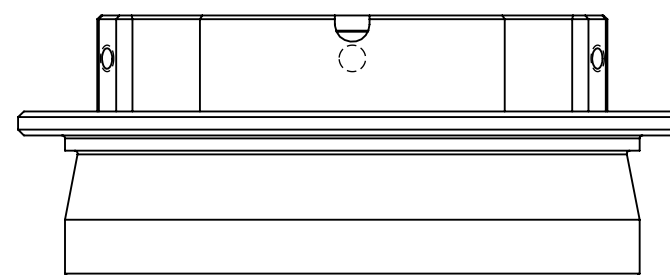
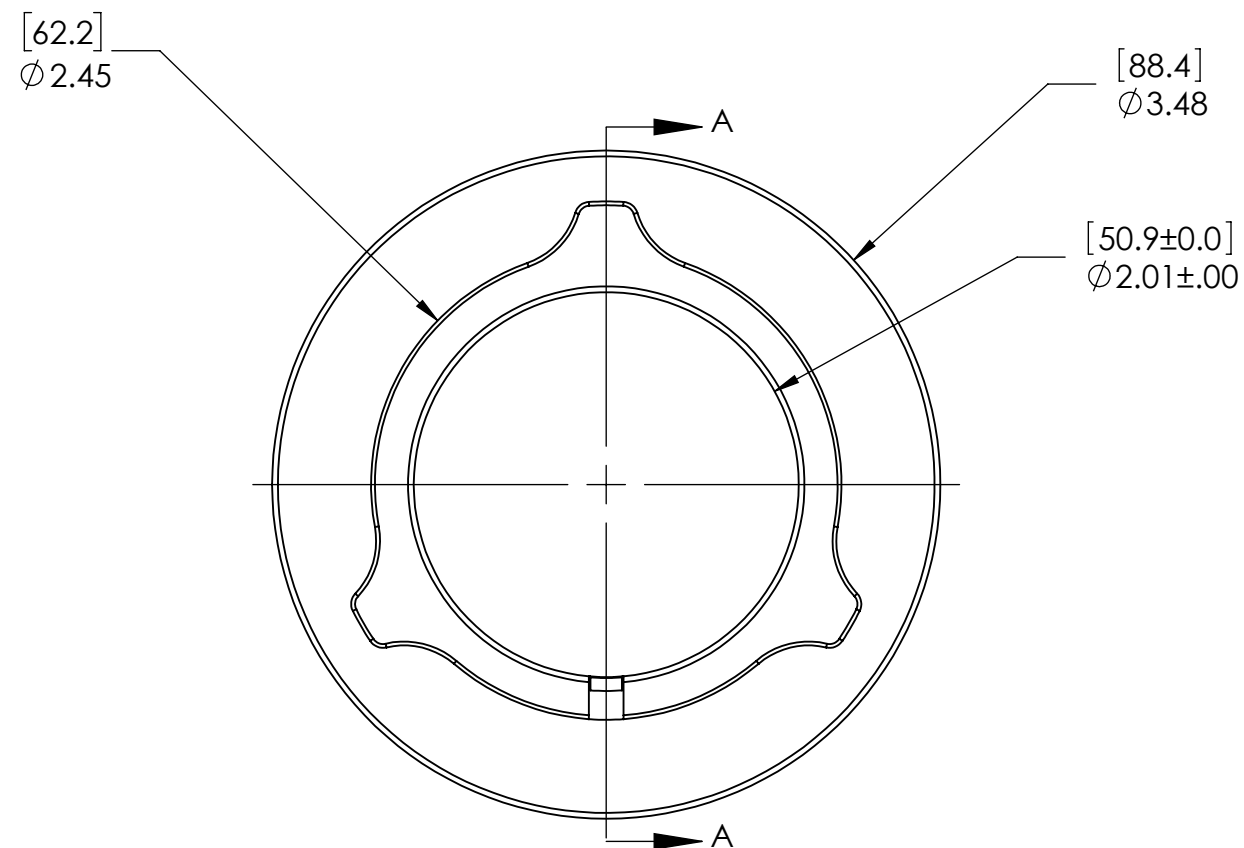
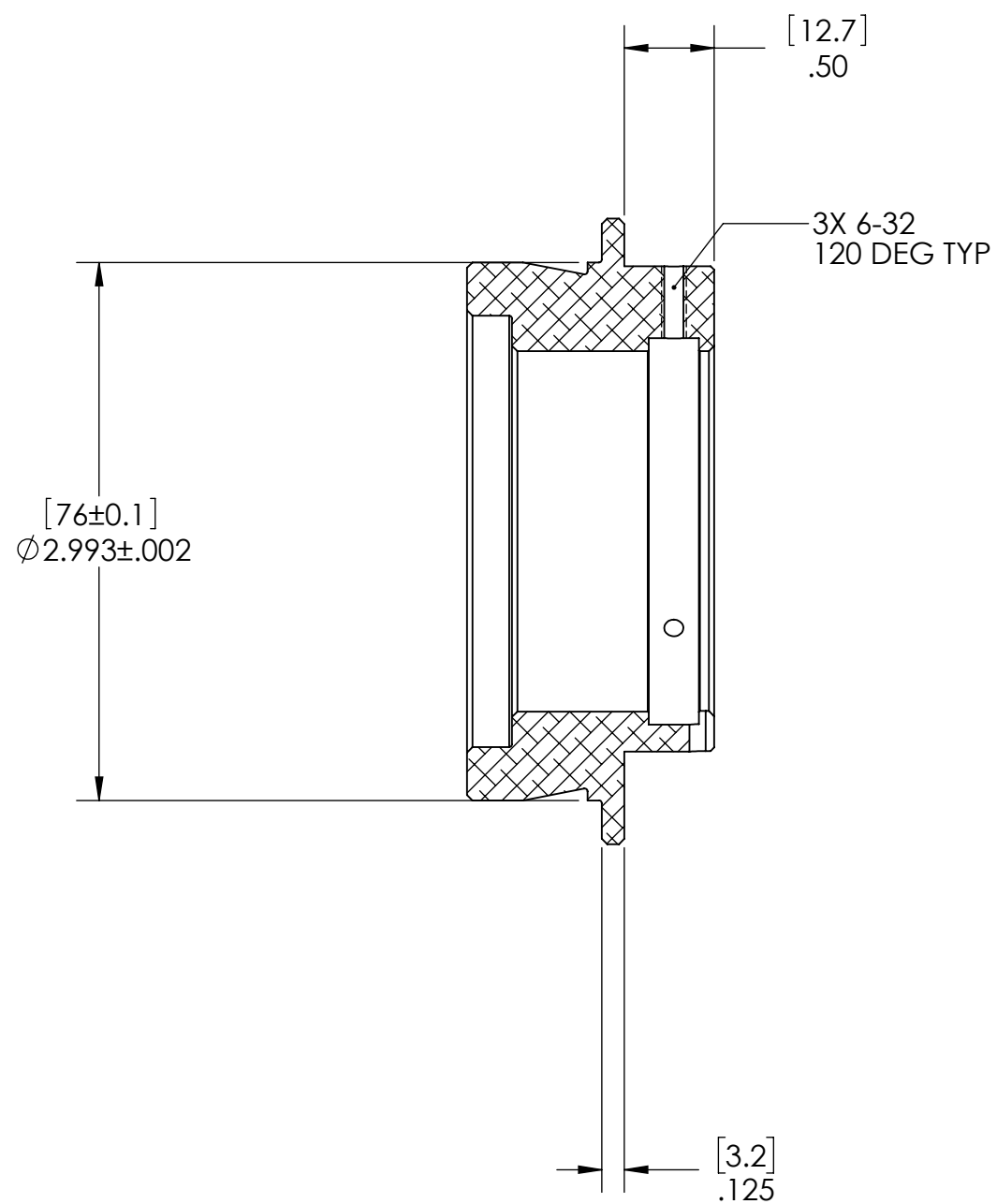


PN 4488
 STK. NO. 17804



UNLESS OTHERWISE SPECIFIED: DIMENSIONS ARE IN INCHES TOLERANCES: FRACTIONAL ± ANGULAR: MACH ± BEND ± TWO PLACE DECIMAL ±.007 THREE PLACE DECIMAL ±.003	DRAWN	NAME	DATE	Optec, Inc.
	CHECKED	LD	09/28/09	
	ENG APPR.			
	MFG APPR.			
MATERIAL	6061-T6	CONTRACT		TITLE: 3" TO 2" REDUCER
FINISH	SEE NOTES	3-INCH ADAPTERS		
DO NOT SCALE DRAWING		SIZE	DWG. NO.	
		B	17-06663	
		SCALE: 1:1	WEIGHT:	SHEET 1 OF 1