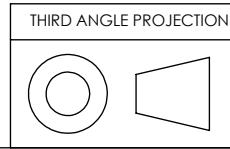
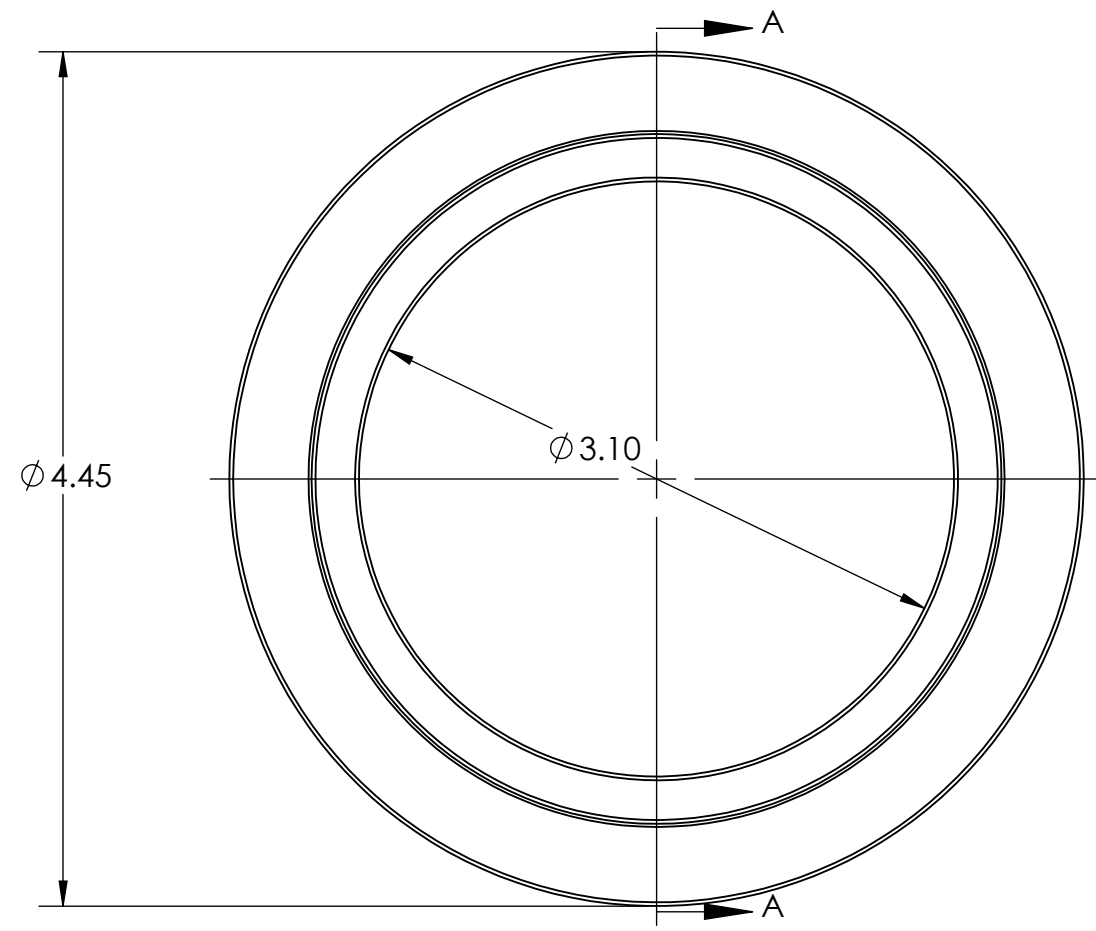
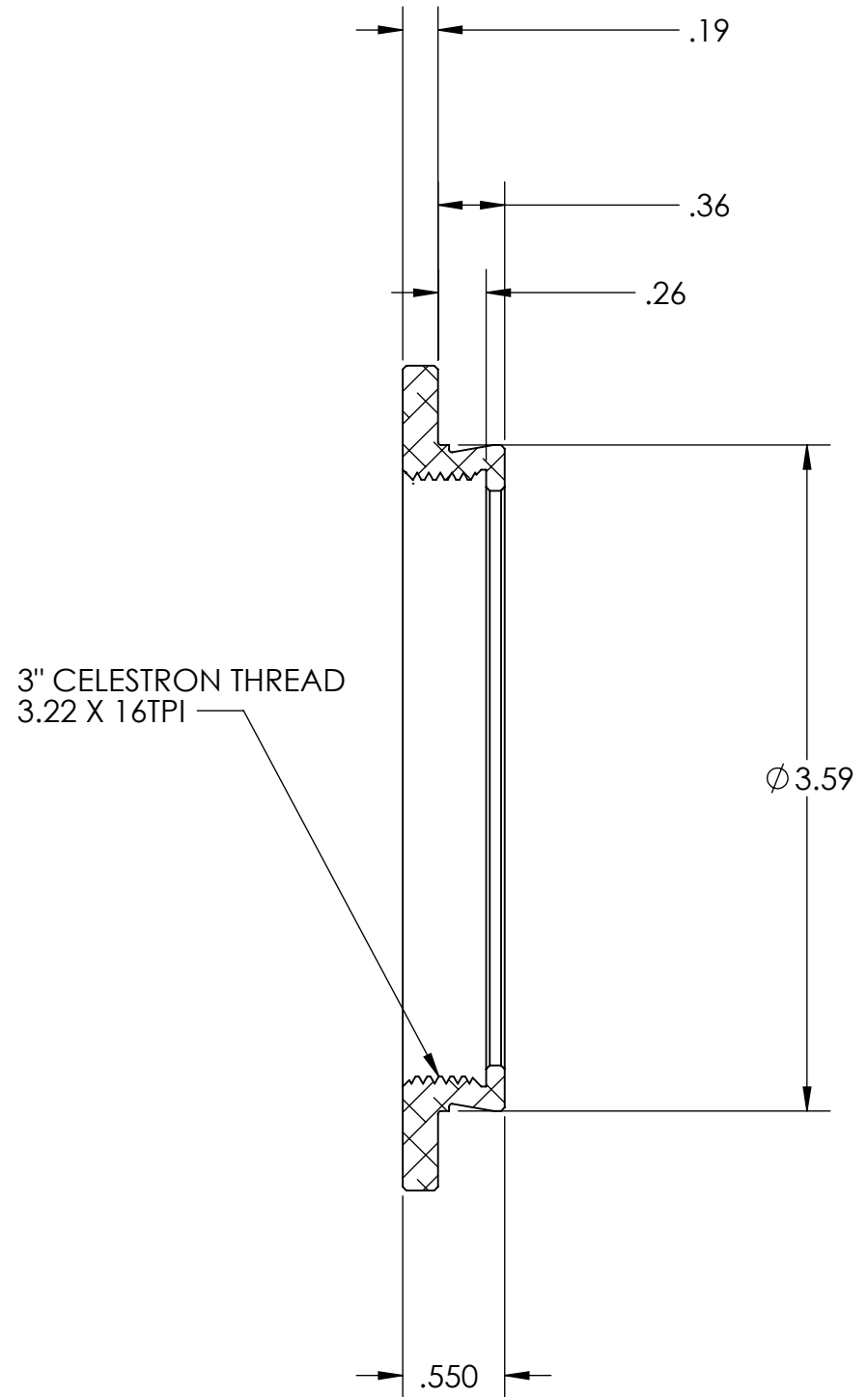


PN 4469
 STK NO 17803



UNLESS OTHERWISE SPECIFIED: DIMENSIONS ARE IN INCHES TOLERANCES: FRACTIONAL ± ANGULAR: MACH ± BEND ± TWO PLACE DECIMAL ±.007 THREE PLACE DECIMAL ±.003	DRAWN	NAME	DATE	Optec Inc.
	CHECKED	LD	11/03/10	
	ENG APPR.			
	MFG APPR.			
MATERIAL	6061-T6	CONTRACT		TITLE: LOW PROFILE CELESTRON 3" THREAD TO OPTEC 3600
FINISH	SEE NOTES	OPTEC 3600		
DO NOT SCALE DRAWING		SIZE	DWG. NO.	
		B	17-06660 REV1	
		SCALE: 1:1	WEIGHT:	SHEET 1 OF 1