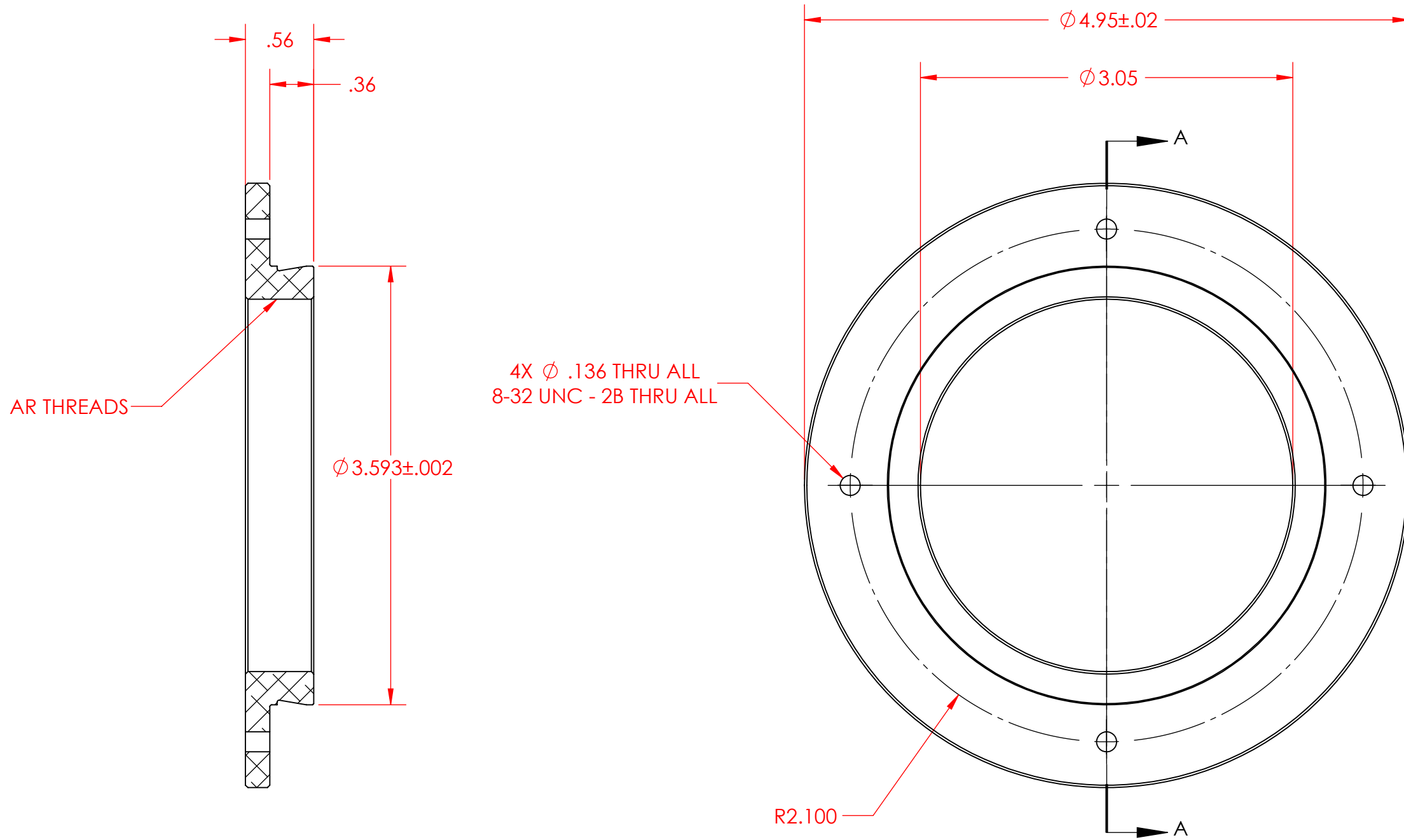


PN 5048  
STK NO 17800



AR THREADS

4X  $\phi$  .136 THRU ALL  
8-32 UNC - 2B THRU ALL

$\phi$  3.593 $\pm$ .002

$\phi$  4.95 $\pm$ .02

$\phi$  3.05

R2.100

|   |  |                        |      |            |  |
|---|--|------------------------|------|------------|--|
| UNLESS OTHERWISE SPECIFIED:             |  | NAME                   | DATE | Optec Inc. |  |
| DIMENSIONS ARE IN INCHES<br>TOLERANCES: |  | DRAWN                  | BV   | 3/26/10    | TITLE:<br><br>3.6" BLANK MOUNT         |
| ANGULAR: $\pm$ 1                        |  | CHECKED                |      |            |  |
| TWO PLACE DECIMAL $\pm$ .003            |  | ENG APPR.              |      |            |  |
| THREE PLACE DECIMAL $\pm$ .007          |  | MFG APPR.              |      |            |  |
| MATERIAL<br>6061 T6                     |  | Q.A.                   |      |            | SIZE DWG. NO. REV<br><b>B</b> 17-06711 |
| FINISH<br>SEE NOTES                     |  | Contract<br>OPTEC-3600 |      |            |  |
| DO NOT SCALE DRAWING                    |  |                        |      |            |  |
|   |  | SCALE: 1:2             |      | WEIGHT:    | SHEET 1 OF 1                           |