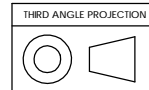
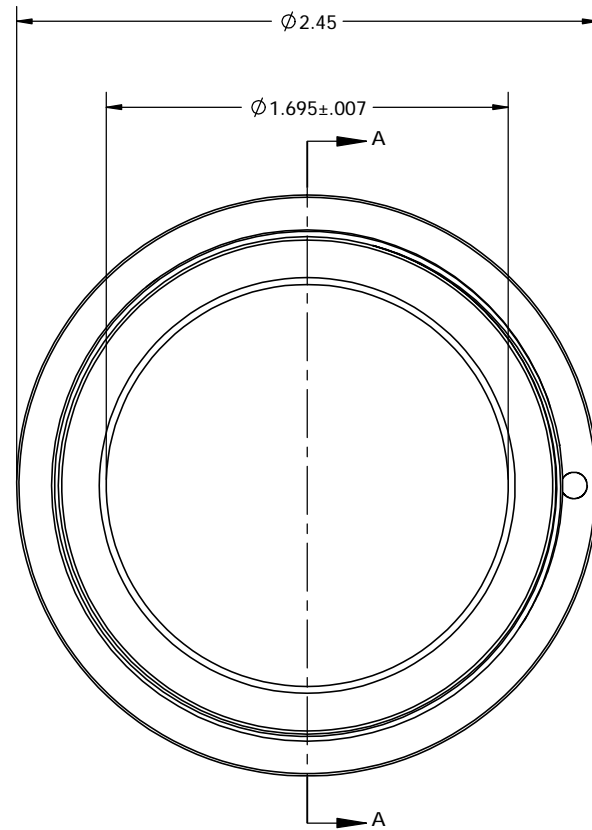
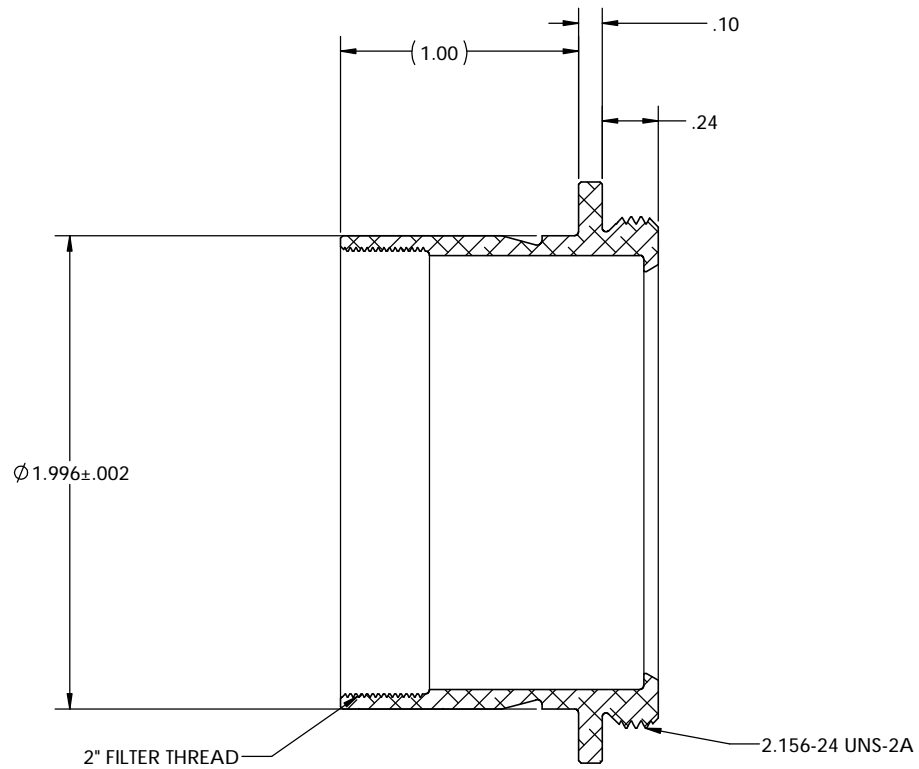


PN 5616  
STK NO 17667

D  
C  
B  
A



UNLESS OTHERWISE SPECIFIED: DIMENSIONS ARE IN INCHES TWO PLACE DECIMAL $\pm .007$ THREE PLACE DECIMAL $\pm .003$	DRAWN	NAME	DATE	<b>Optec Inc.</b>
	CHECKED	LD	10/17/12	
	ENG APPR.			
	MFG APPR.			
MATERIAL	6061-T6	CONTRACT		TITLE: STL HOUSING
FINISH	SEE NOTES	LEPUS		SIZE DWG. NO. <b>B</b> 17-26007
DO NOT SCALE DRAWING				SCALE: 2:1 WEIGHT: SHEET 1 OF 1

8 7 6 5 4 3 2 1