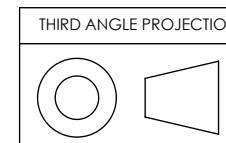
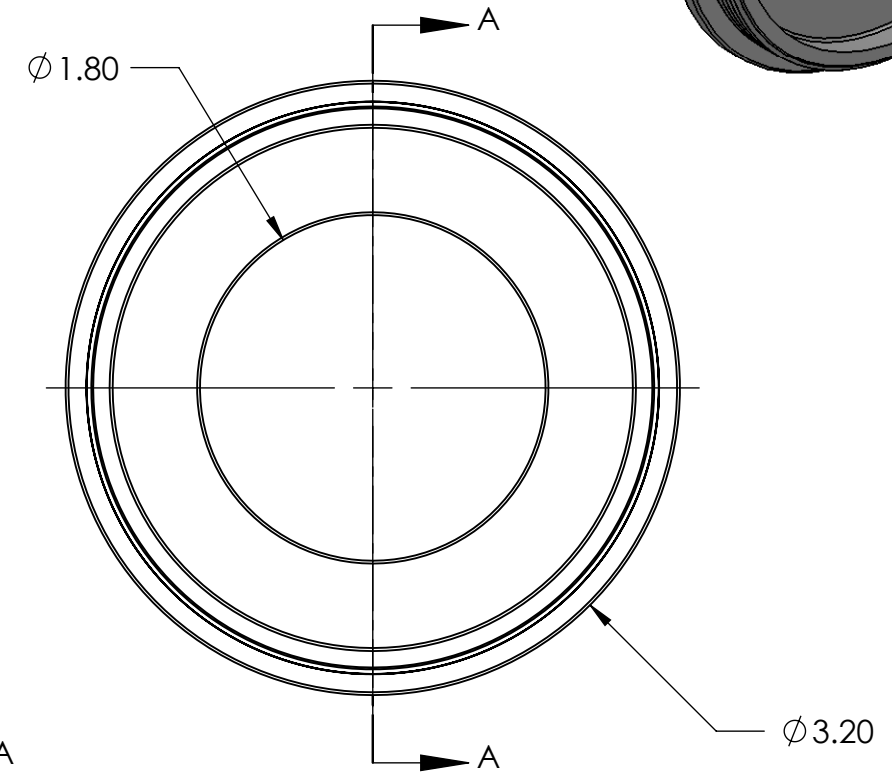
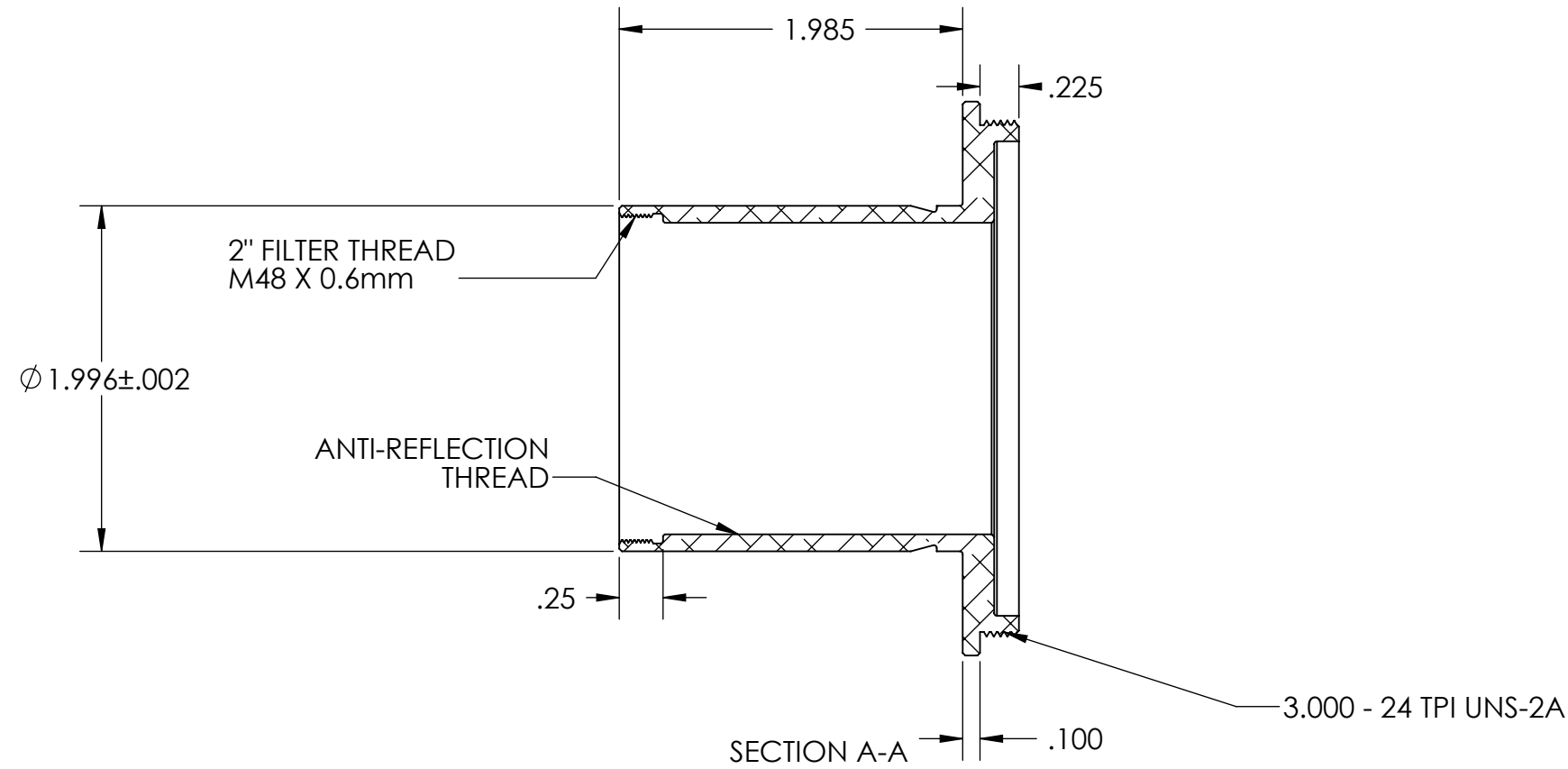
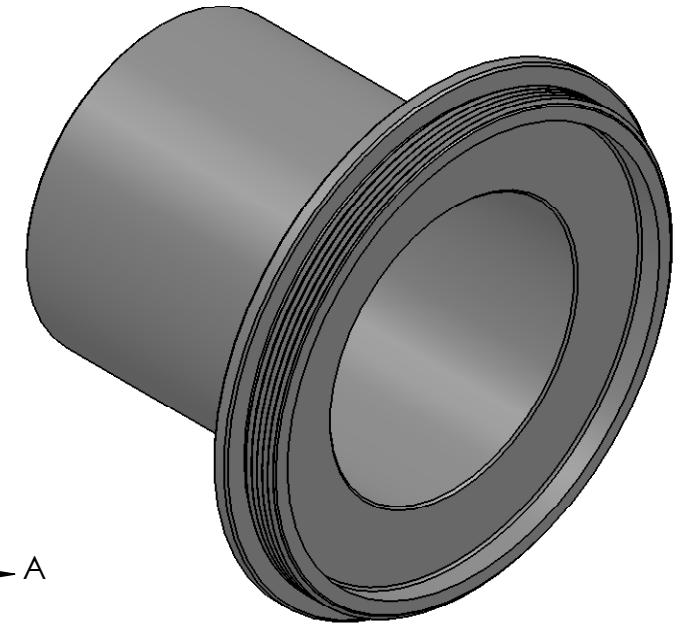


PN 4895  
STK NO 17666



|  |                  |                 |          |                          |
|--|------------------|-----------------|----------|--------------------------|
| UNLESS OTHERWISE SPECIFIED:<br>DIMENSIONS ARE IN INCHES<br>TOLERANCES:<br>FRACTIONAL ±<br>ANGULAR: MACH ± BEND ±<br>TWO PLACE DECIMAL ±.007<br>THREE PLACE DECIMAL ±.003 | DRAWN            | NAME            | DATE     | <b>Optec. Inc.</b>       |
|  | CHECKED          | LD              | 03/30/09 |                          |
|  | ENG APPR.        |                 |          |                          |
|  | MFG APPR.        |                 |          |                          |
| MATERIAL   | 6061-T6          | CONTRACT        |          | TITLE:                   |
| FINISH   | SATIN ETCH BLACK | 2-INCH ADAPTERS |          | 2" BARREL TO 3" - 24 TPI |
| DO NOT SCALE DRAWING   |                  | SIZE            | DWG. NO. |                          |
|  |                  | <b>B</b>        | 17-06333 |                          |
|  |                  | SCALE: 1:1      | WEIGHT:  | SHEET 1 OF 1             |