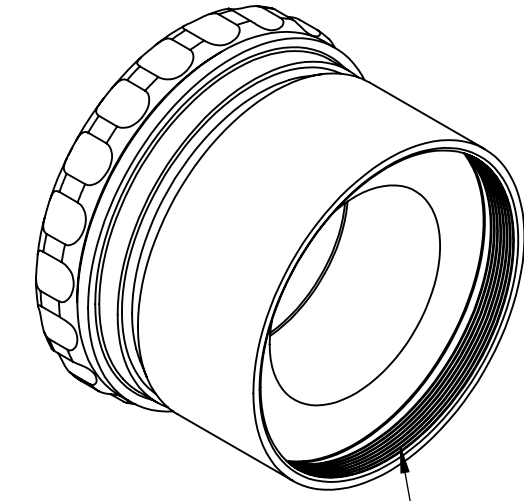
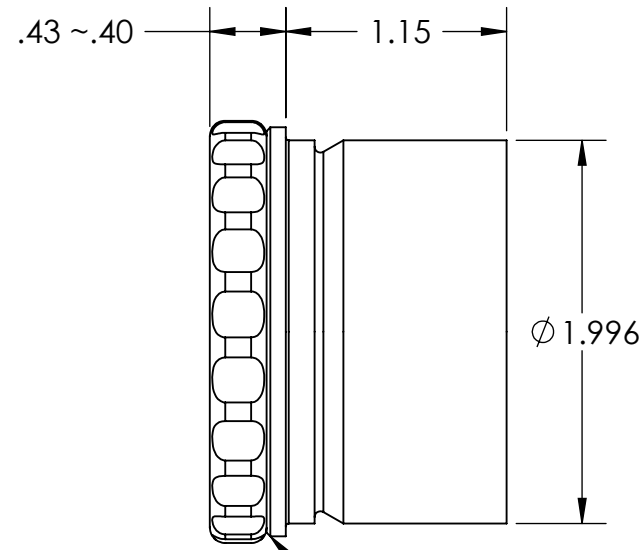
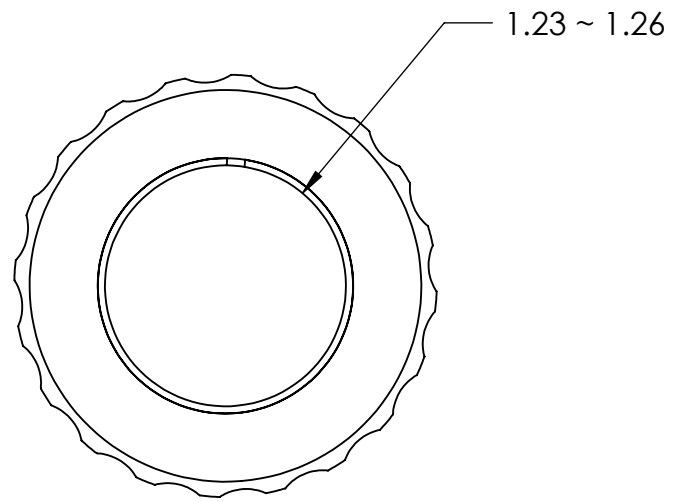


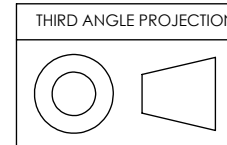
STK. NO. 17663



M48 x 0.6mm 2-inch Filter Thread

T-Thread under Locking Ring

UNLESS OTHERWISE SPECIFIED: DIMENSIONS ARE IN INCHES TOLERANCES: FRACTIONAL ± ANGULAR: MACH ± BEND ± TWO PLACE DECIMAL ±.007 THREE PLACE DECIMAL ±.003	DRAWN	NAME	DATE	Optec Inc. TITLE: 2" - 1.25" COMPRESSION ADAPTER		
	CHECKED	LD	06/04/10			
	ENG APPR.					
	MFG APPR.					
	CONTRACT			SIZE	DWG. NO.	
	2-INCH ADAPTERS			B	N/A	
	DO NOT SCALE DRAWING			SCALE: 1:1	WEIGHT:	SHEET 1 OF 1



THIRD ANGLE PROJECTION

MATERIAL 6061-T6

FINISH FROSTKOTE BRIGHT
DIP BLACK